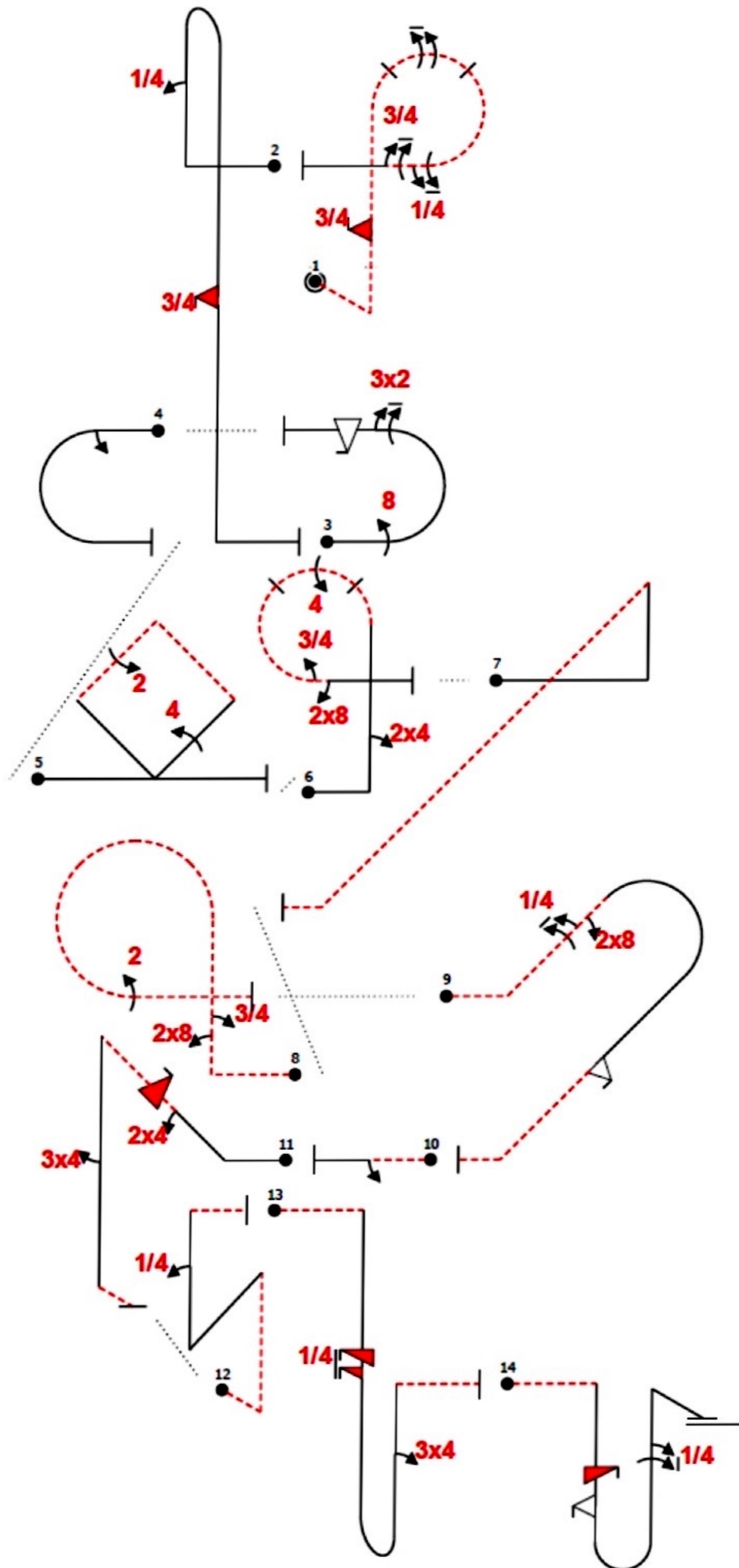
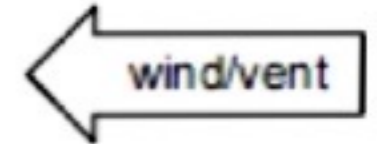




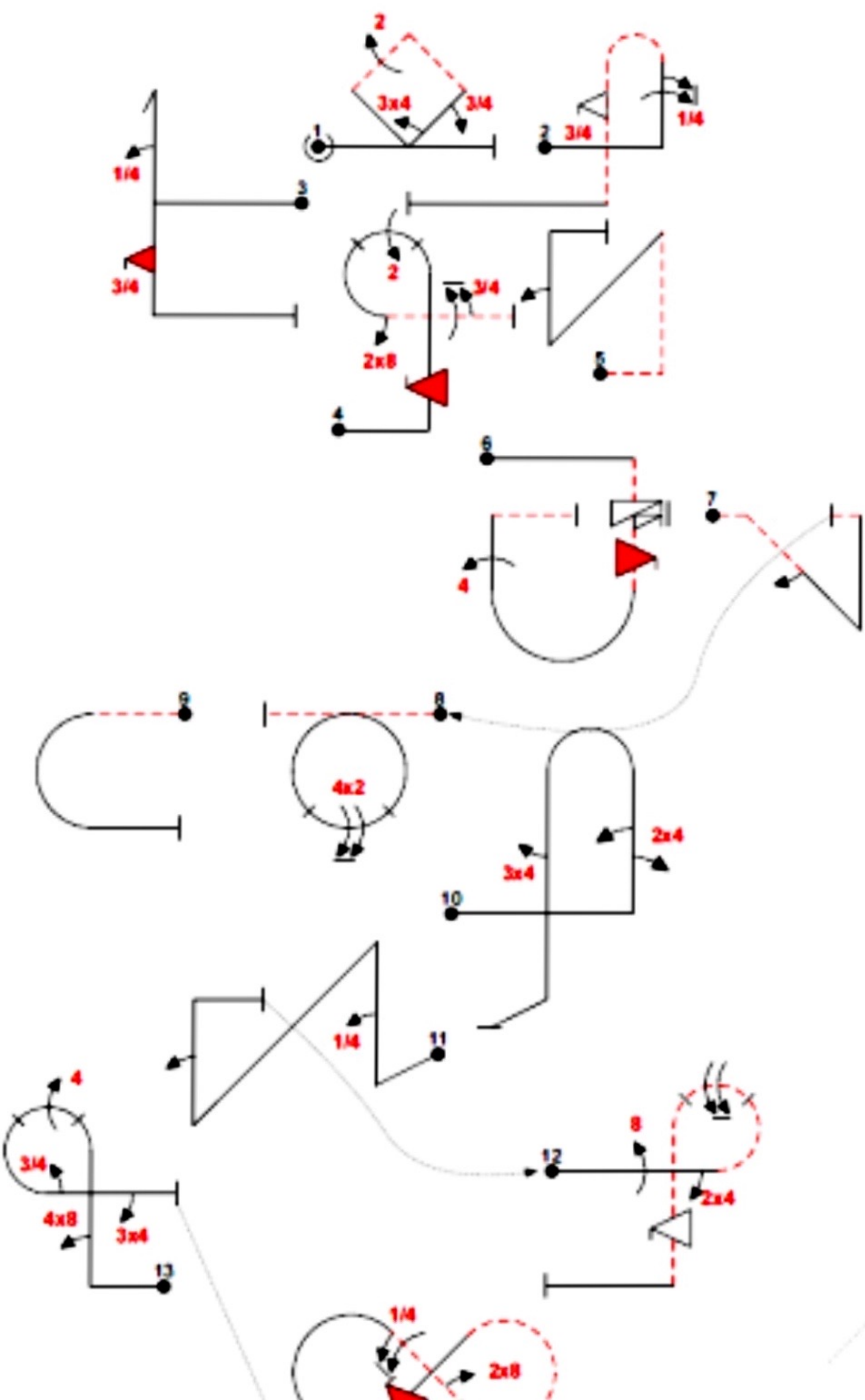
WAC 2013 – 450K Free Unknown #1 sequence Form-B's

Australia

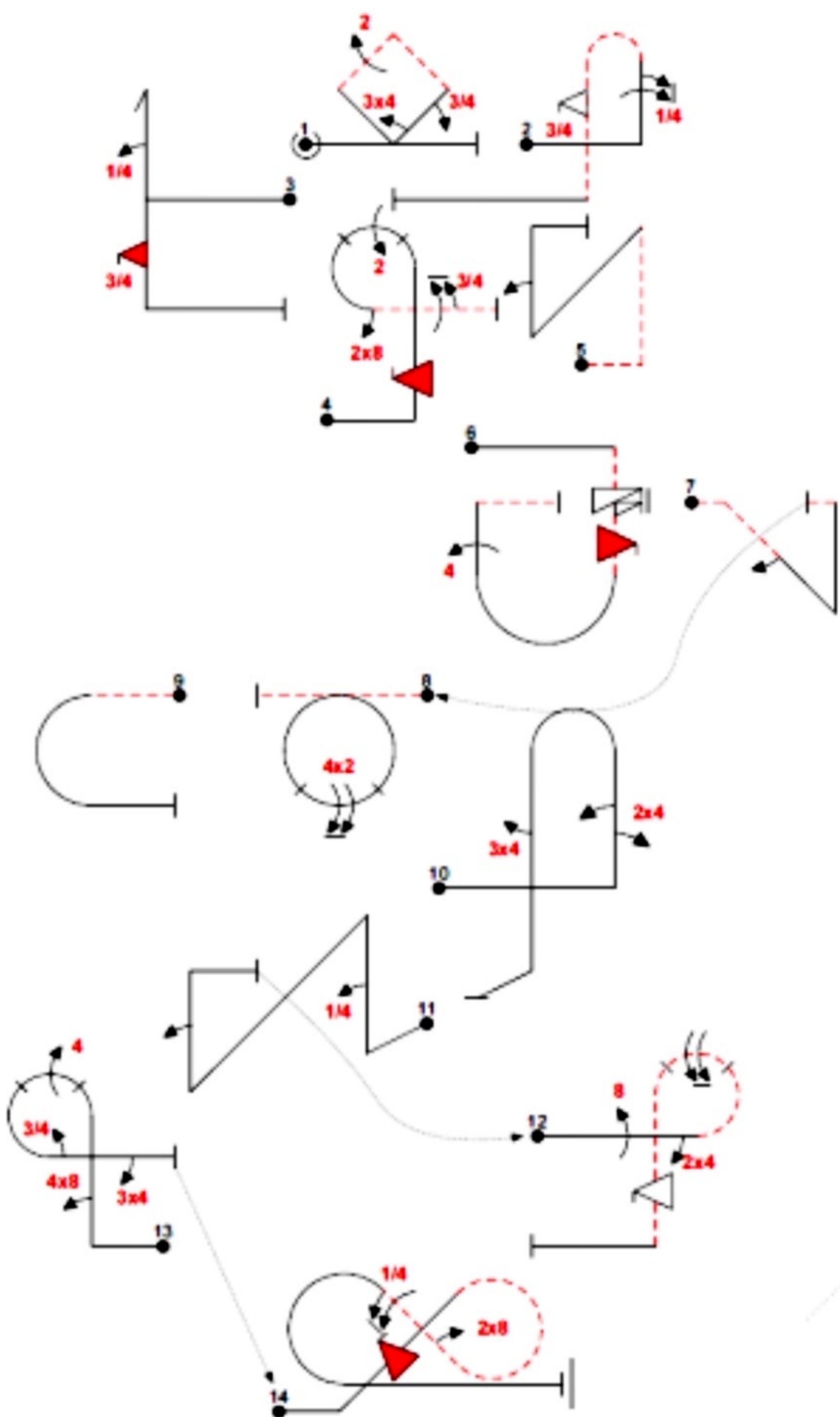


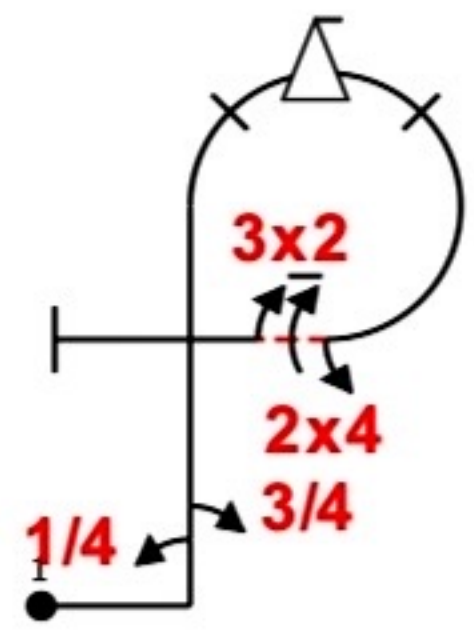
Programme 4: Free Unknown #2

Free Unknown F



Programme 4: Free Unknown #2
Free Unknown F





CZE

Fig A

8.6.1.1(11)

9.1.1.1(6)

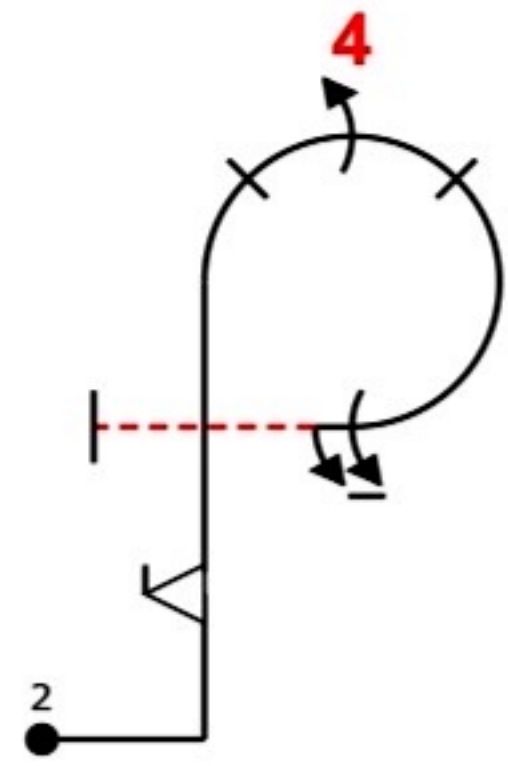
9.1.1.3(10)

9.9.3.4(11)

9.4.3.2(5)

9.2.3.6(12)

K: 55



SUI

Fig B

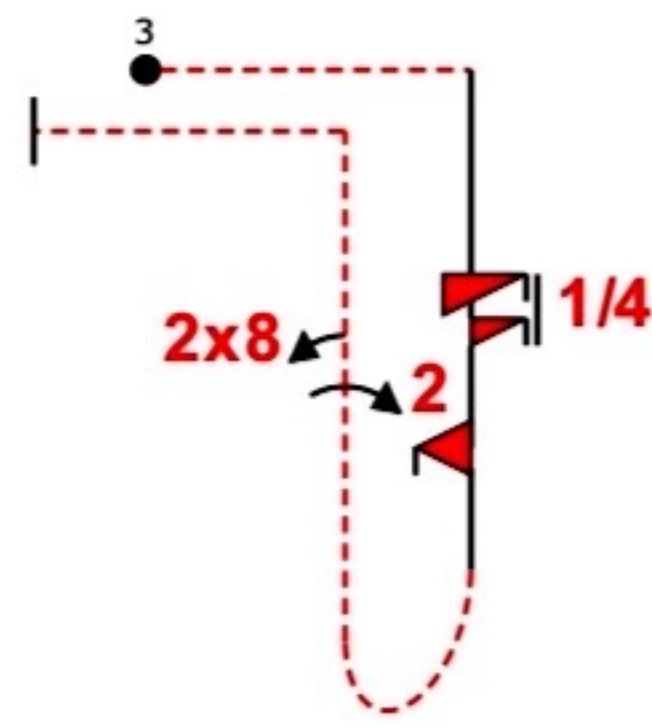
8.6.2.1(12)

9.9.1.2(15)

9.4.3.4(11)

9.1.3.6(10)

K: 48



GBR

Fig C

8.4.3.4(16)

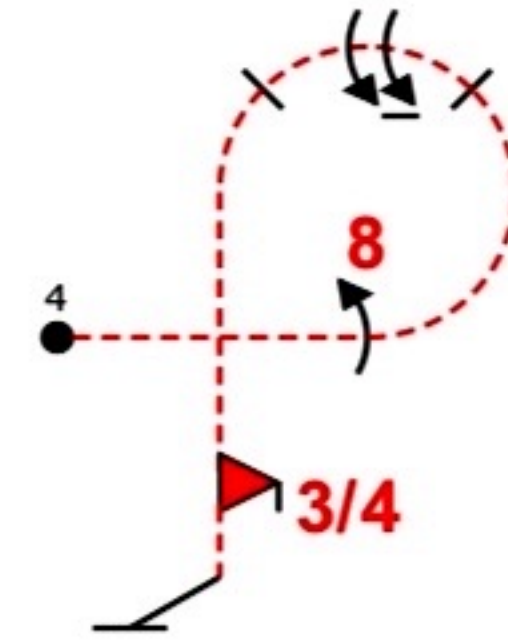
9.12.1.5(6)

9.10.5.2(13)

9.2.1.4(13)

9.8.1.1(7)

K: 55



ESP

Fig D

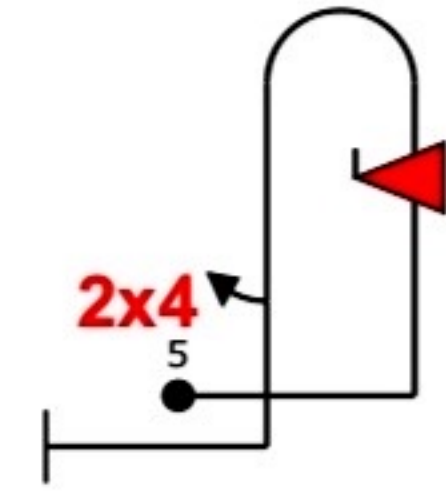
8.6.6.2(15)

9.8.3.4(15)

9.1.3.8(12)

9.10.5.3(13)

K: 55



FRA

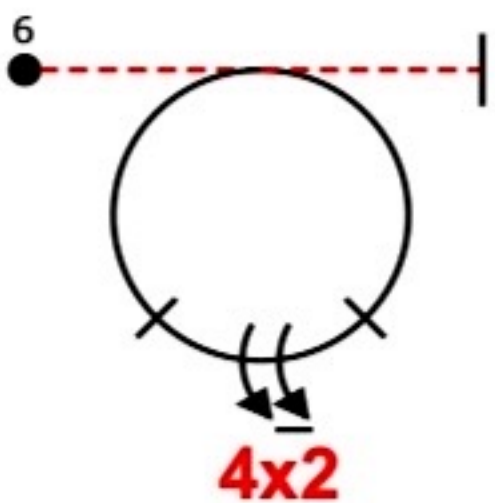
Fig E

8.4.1.1(13)

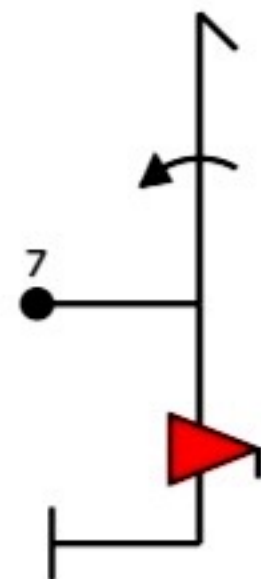
9.10.6.4(19)

9.4.5.2(5)

K: 37

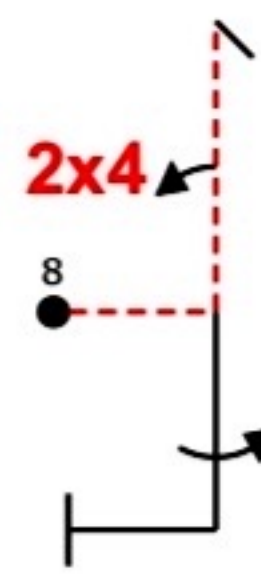


POL



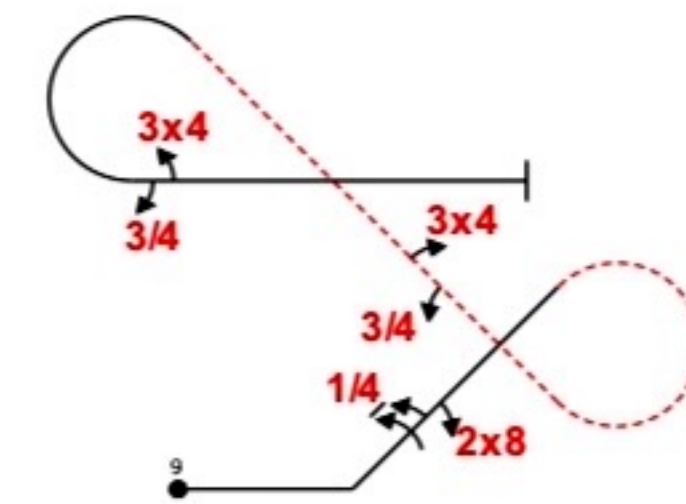
AUT

Fig G



GER

Fig H



USA

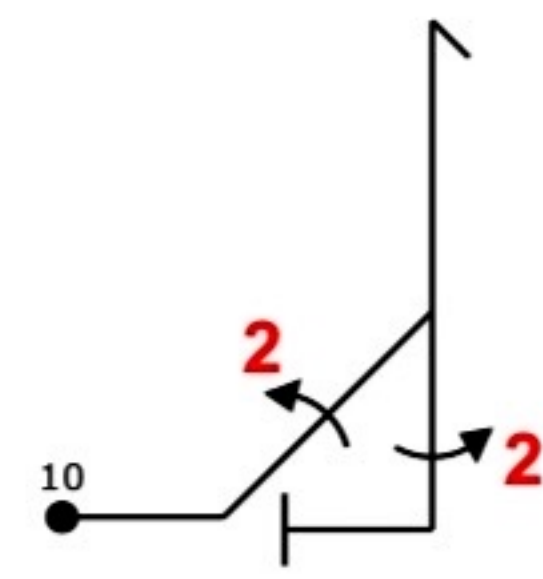
Fig I

7.8.5.1(20)

9.1.2.5(11)

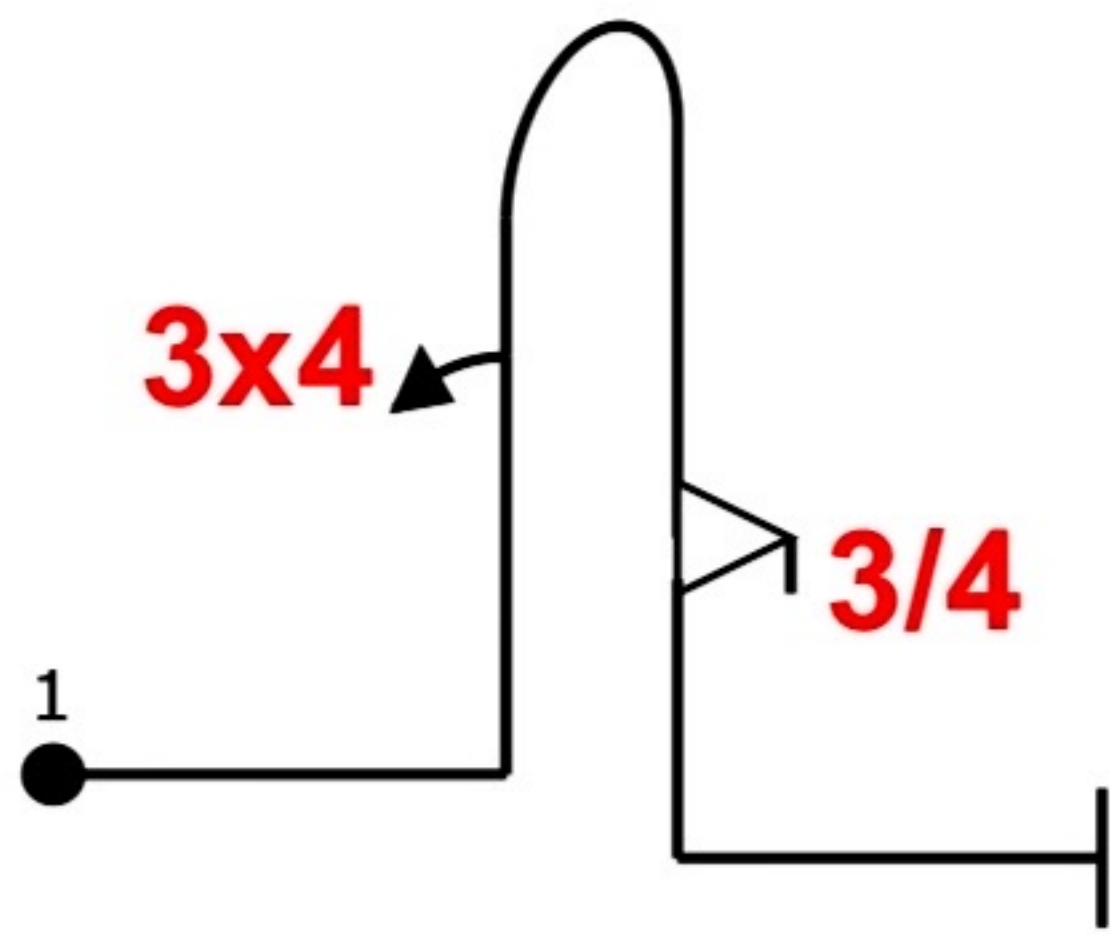
9.8.2.1(5)

9.1.2.3(8)



RUS

Fig J



LUX

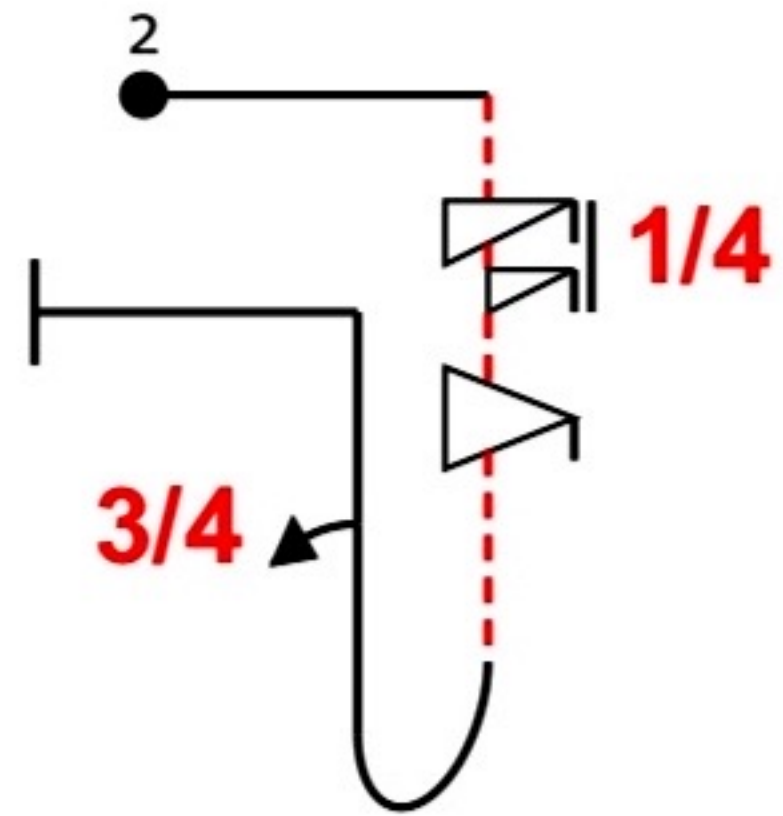
Fig A

8.4.1.1(13)

9.4.1.3(12)

9.9.5.3(11)

K: 36



RUS

Fig B

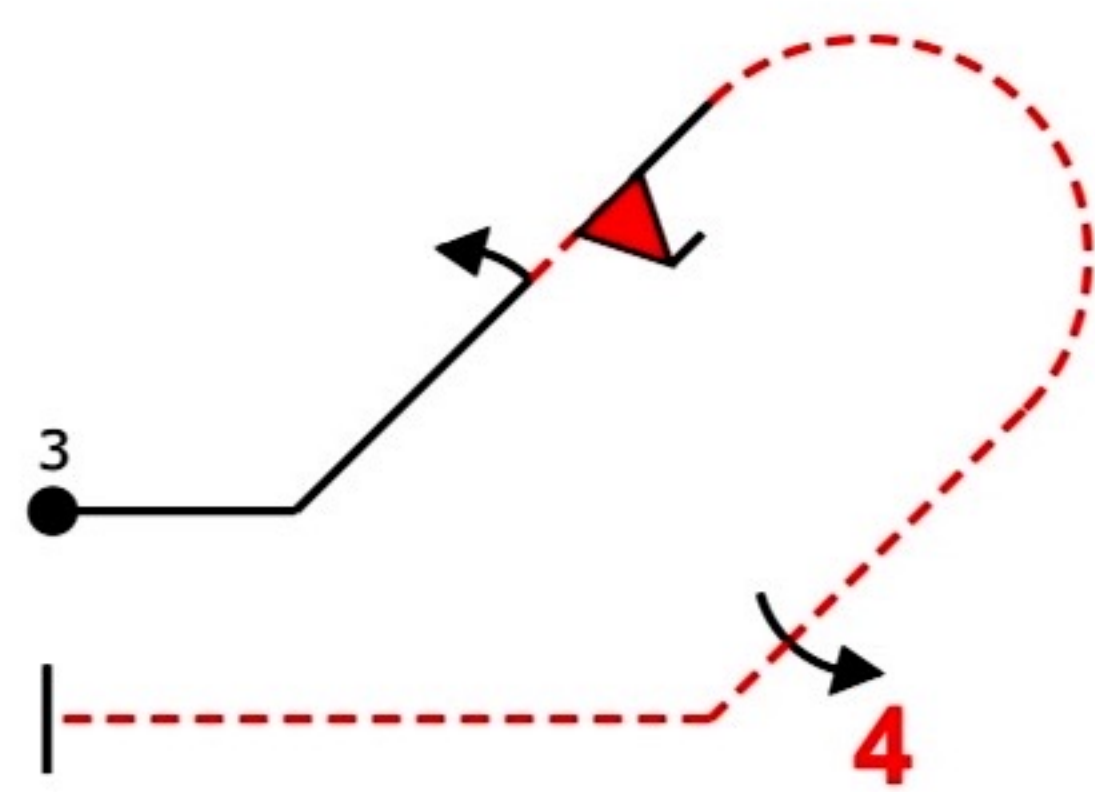
8.4.3.3(15)

9.11.1.5(4)

9.9.5.4(11)

9.1.1.3(10)

K: 40



POL

Fig C

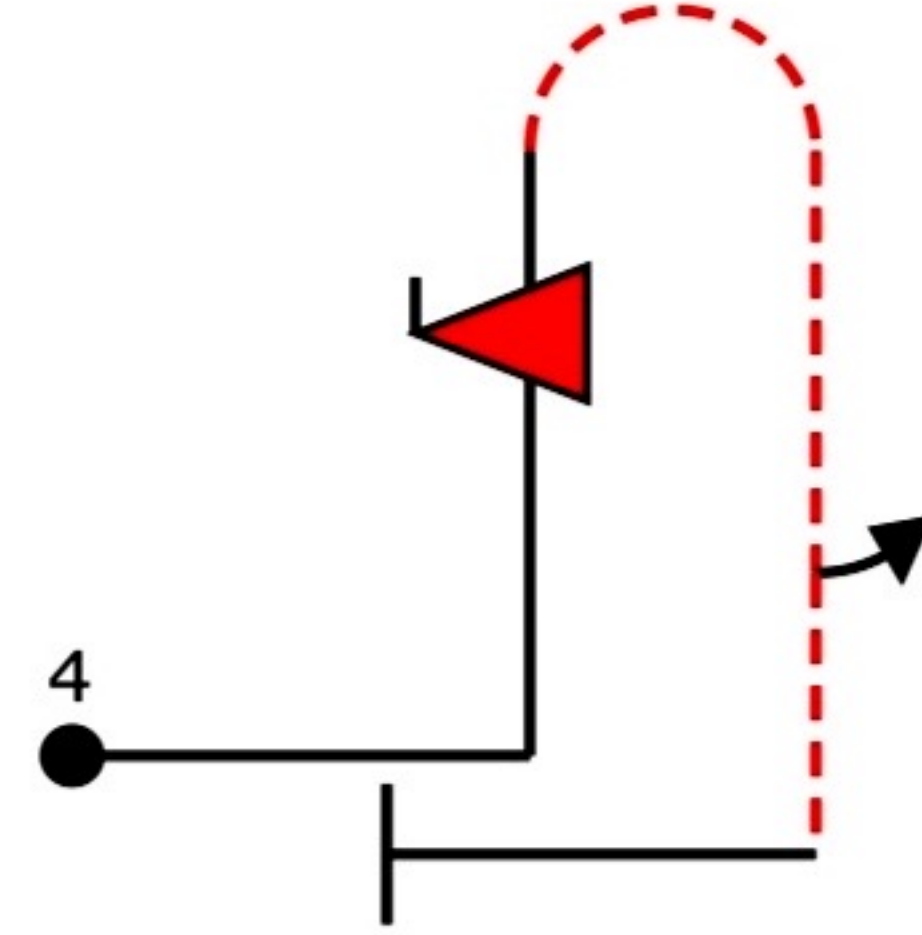
8.4.17.1(13)

9.1.2.2(6)

9.10.2.2(15)

9.4.4.4(11)

K: 45



FRA

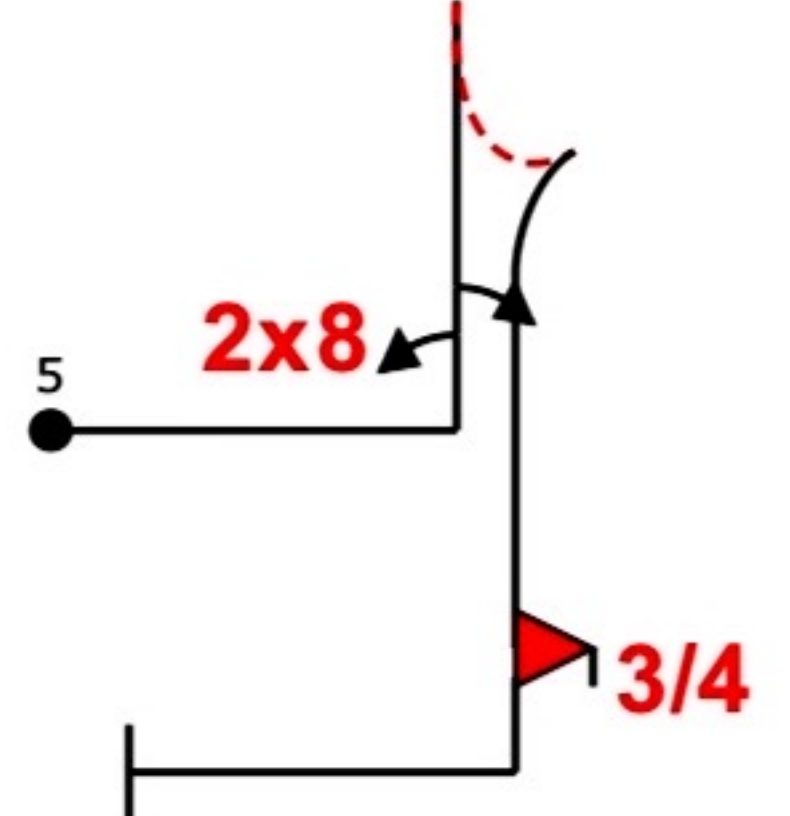
Fig D

8.4.3.1(15)

9.10.6.4(19)

9.1.5.2(4)

K: 38



SUI

Fig E

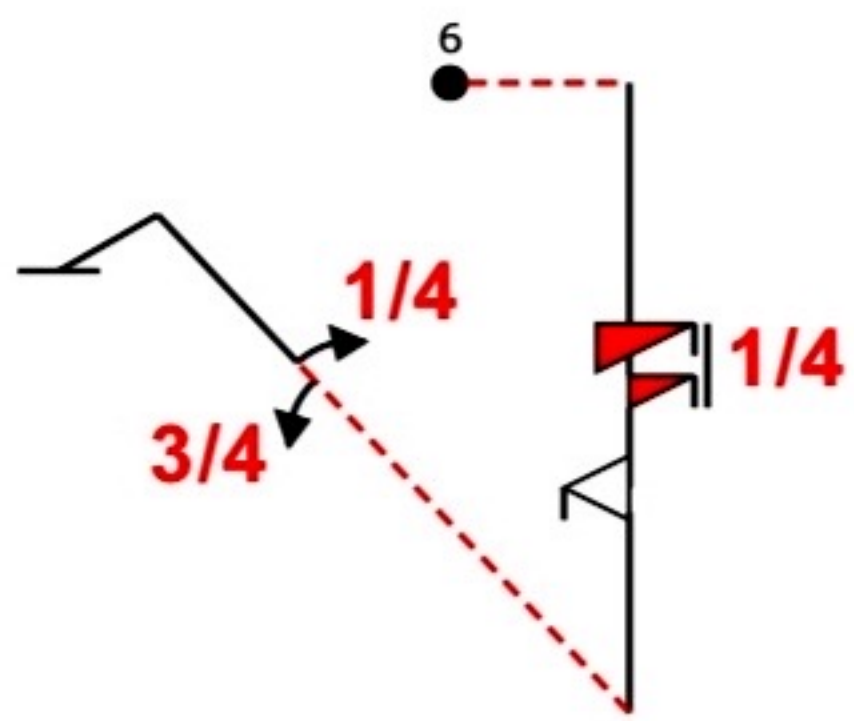
6.2.2.1(15)

9.8.1.1(7)

9.1.1.2(8)

9.10.5.3(13)

K: 43



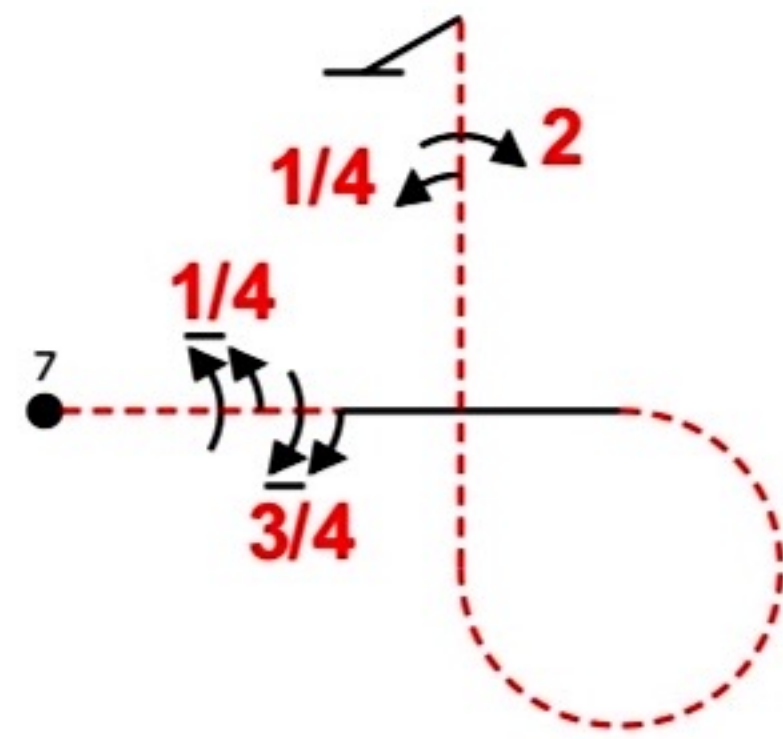
ESP

Fig F

1.2.8.4(15)

9.12.1.5(6)

9.9.5.3(11)



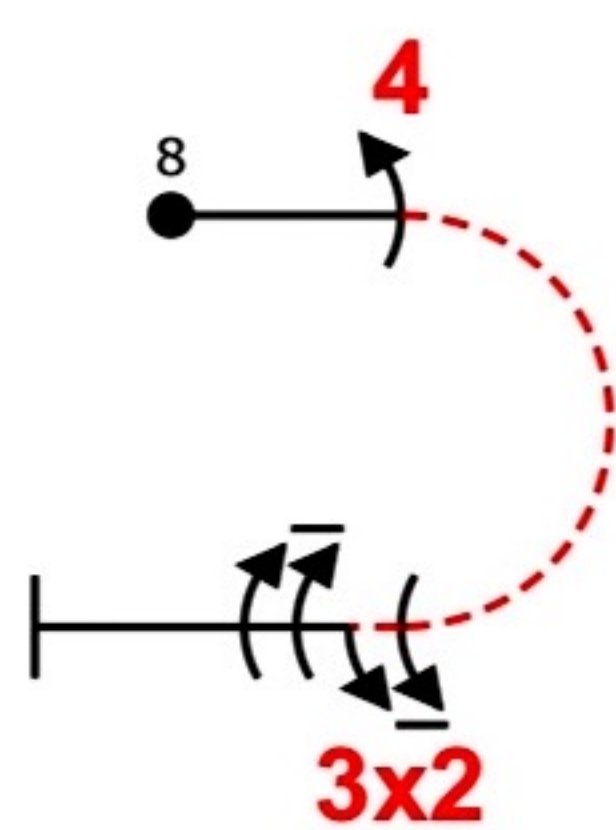
GBR

Fig G

8.6.7.4(16)

9.1.3.5(9)

9.1.3.7(11)

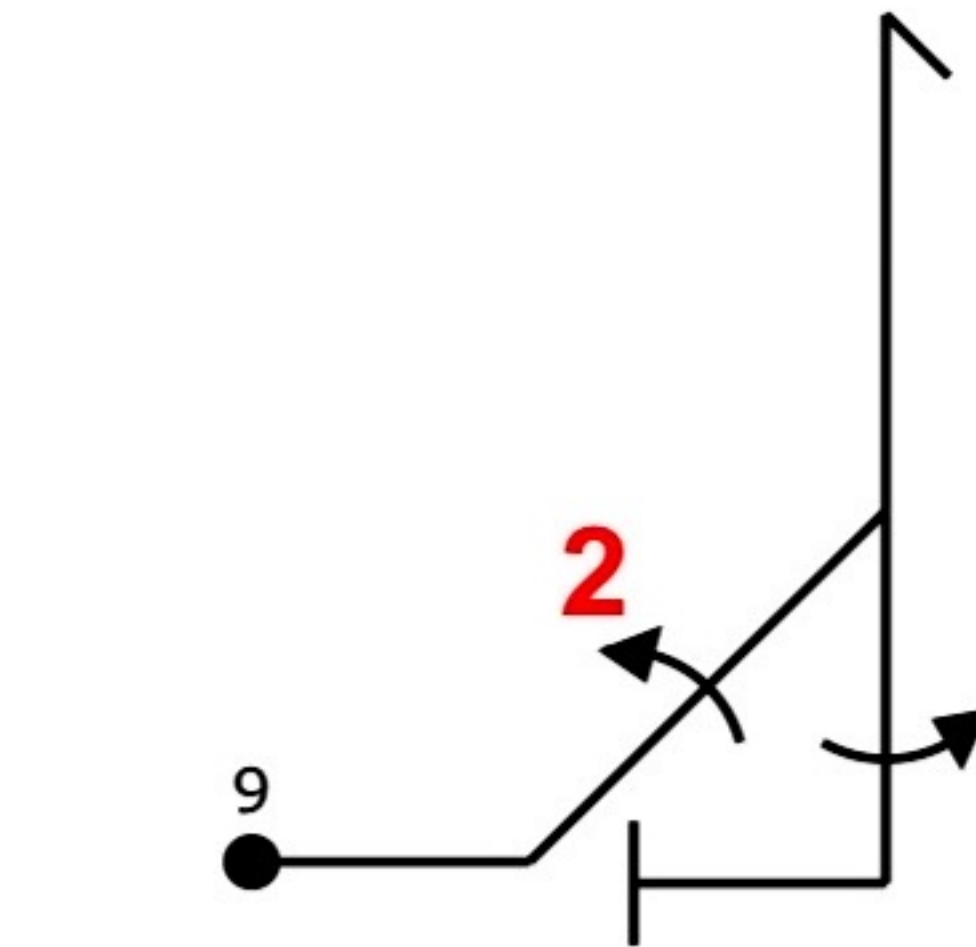


CZE

Fig H

7.2.2.3(8)

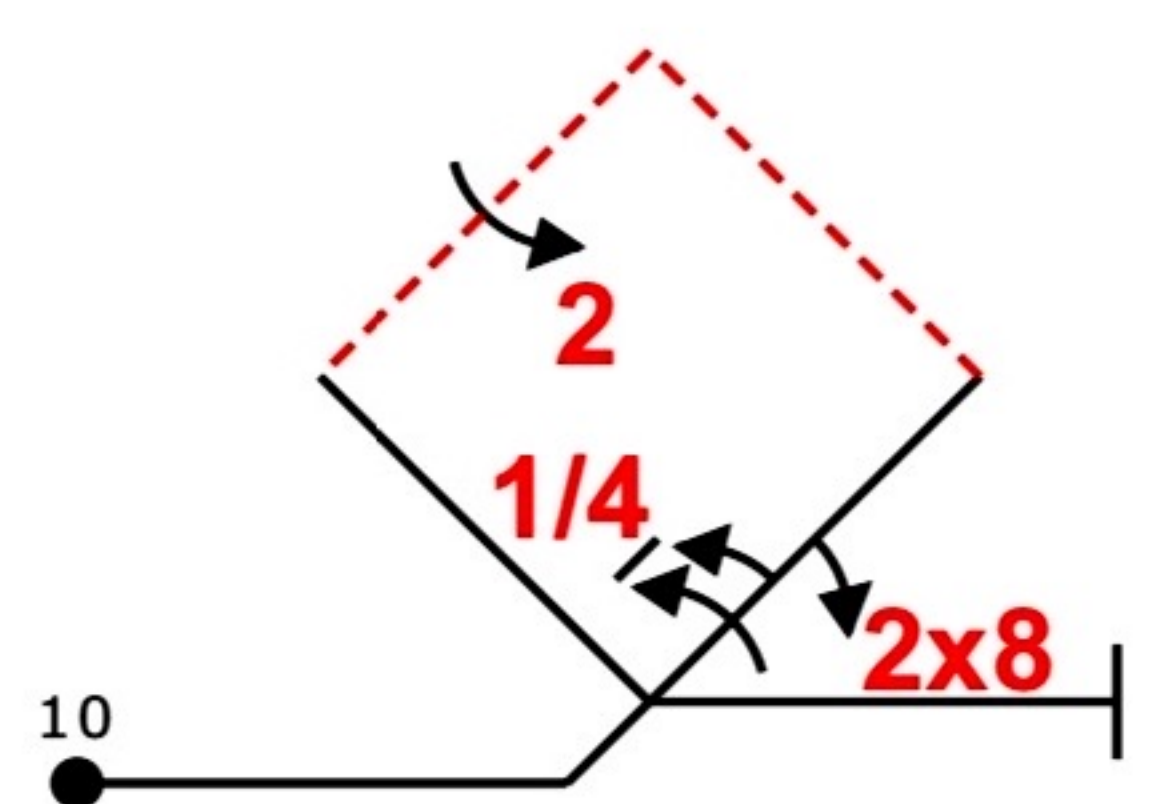
9.4.3.4(11)



GER

Fig I

5.3.1.1(18)



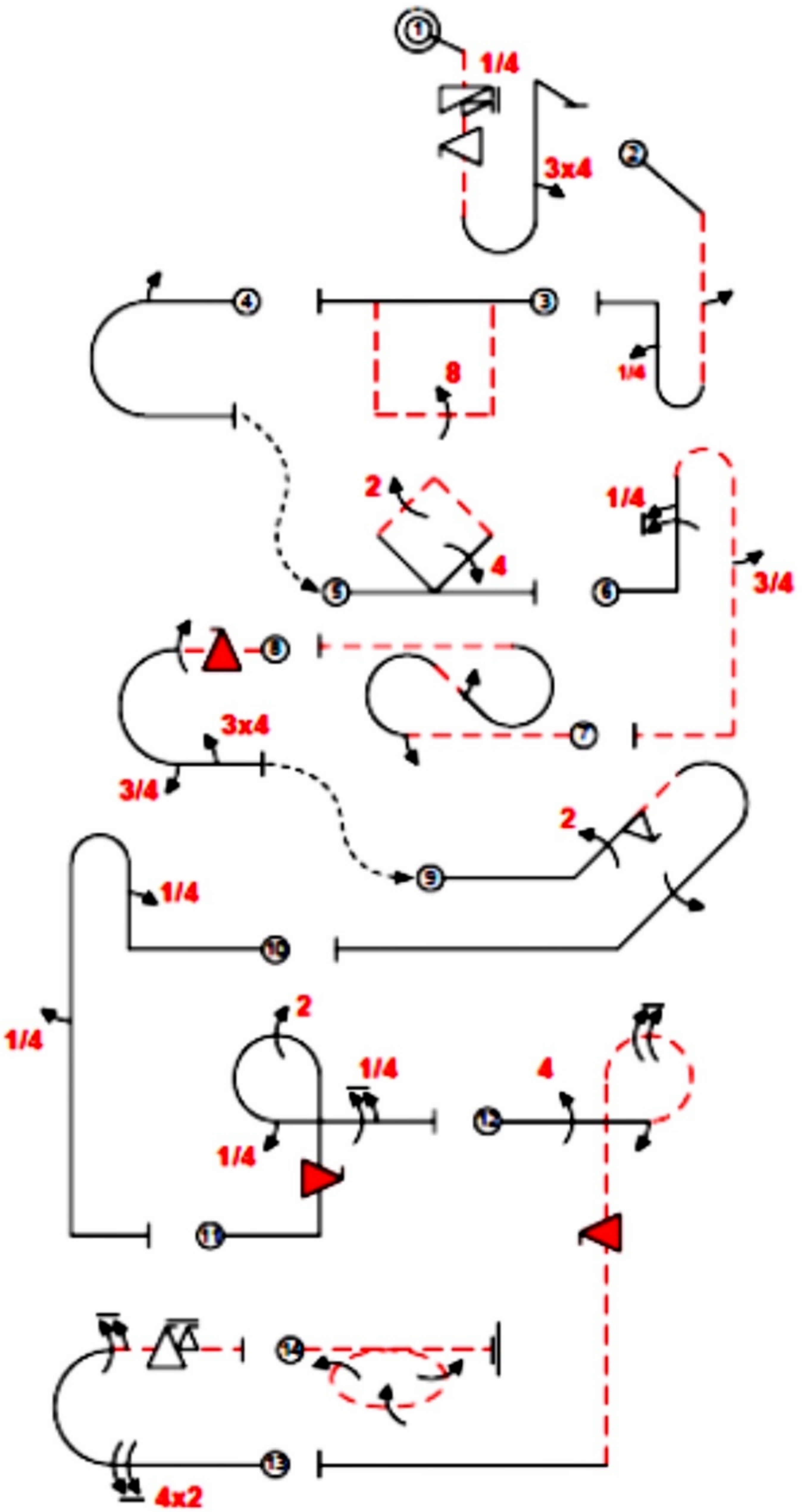
USA

Fig J

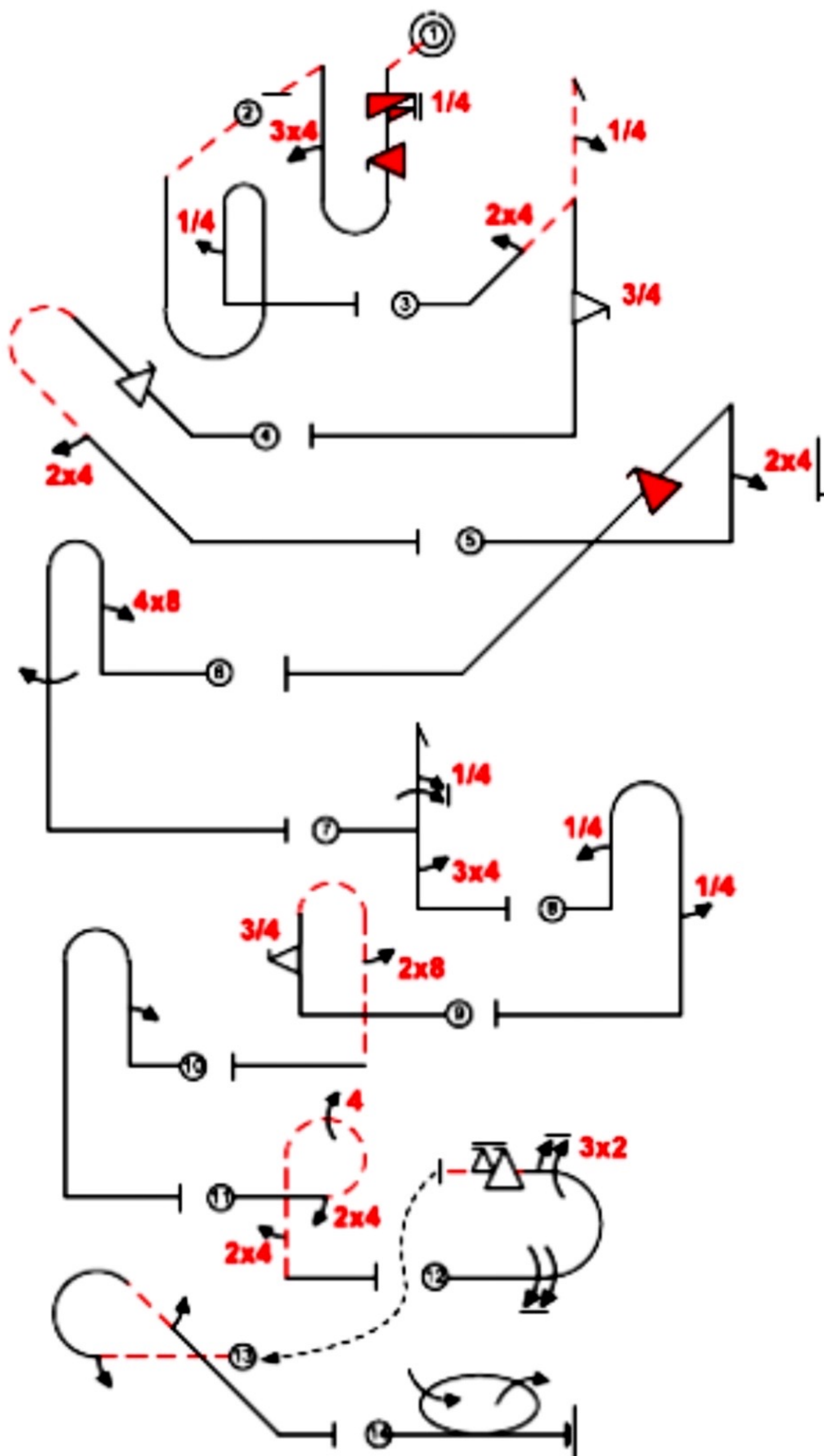
7.4.5.1(15)

9.1.2.5(11)

Programme 2: Free Unknown #1
Free Unknown H

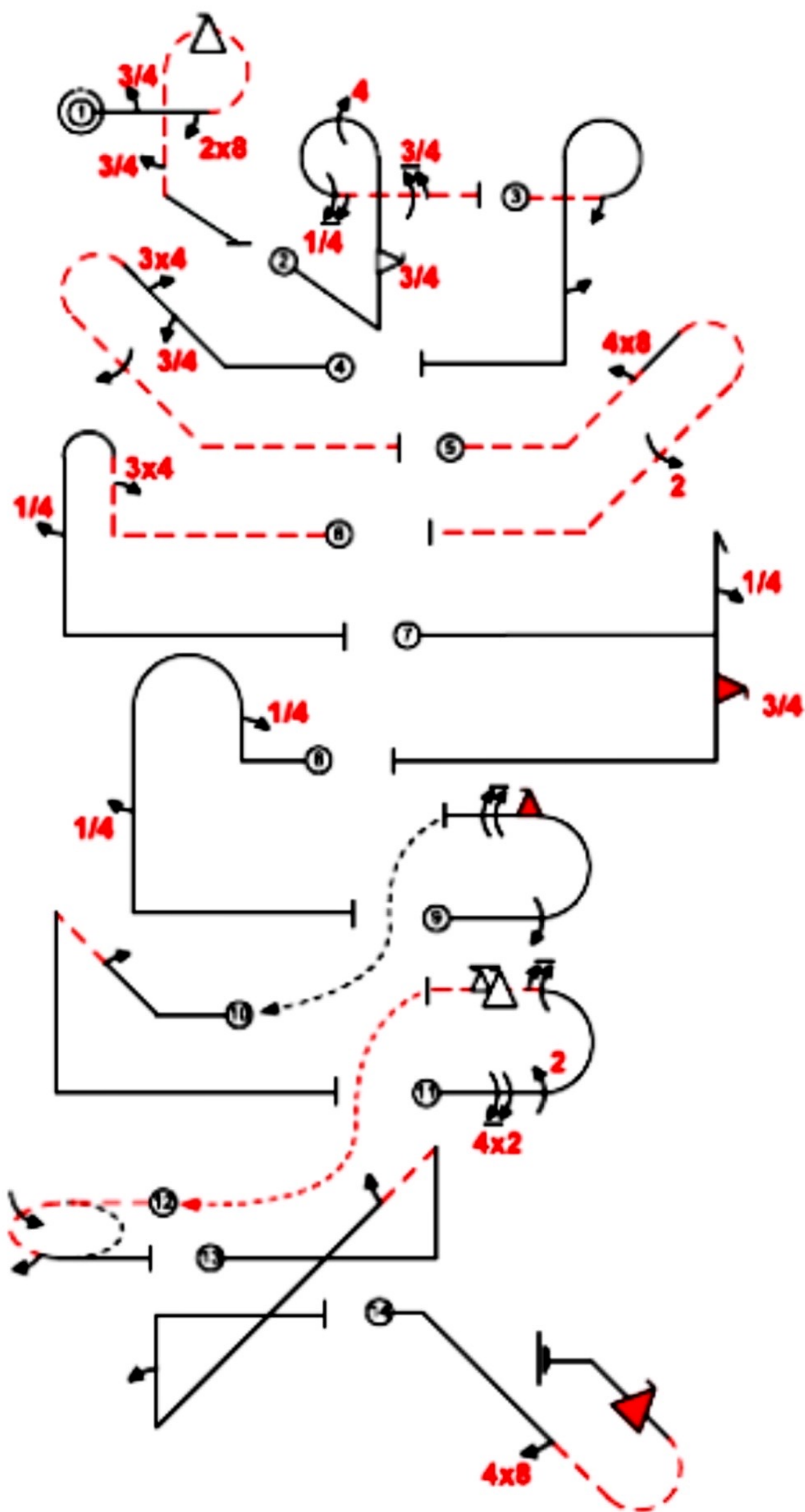


Programme 3: Free Unknown #2 Free Unknown N

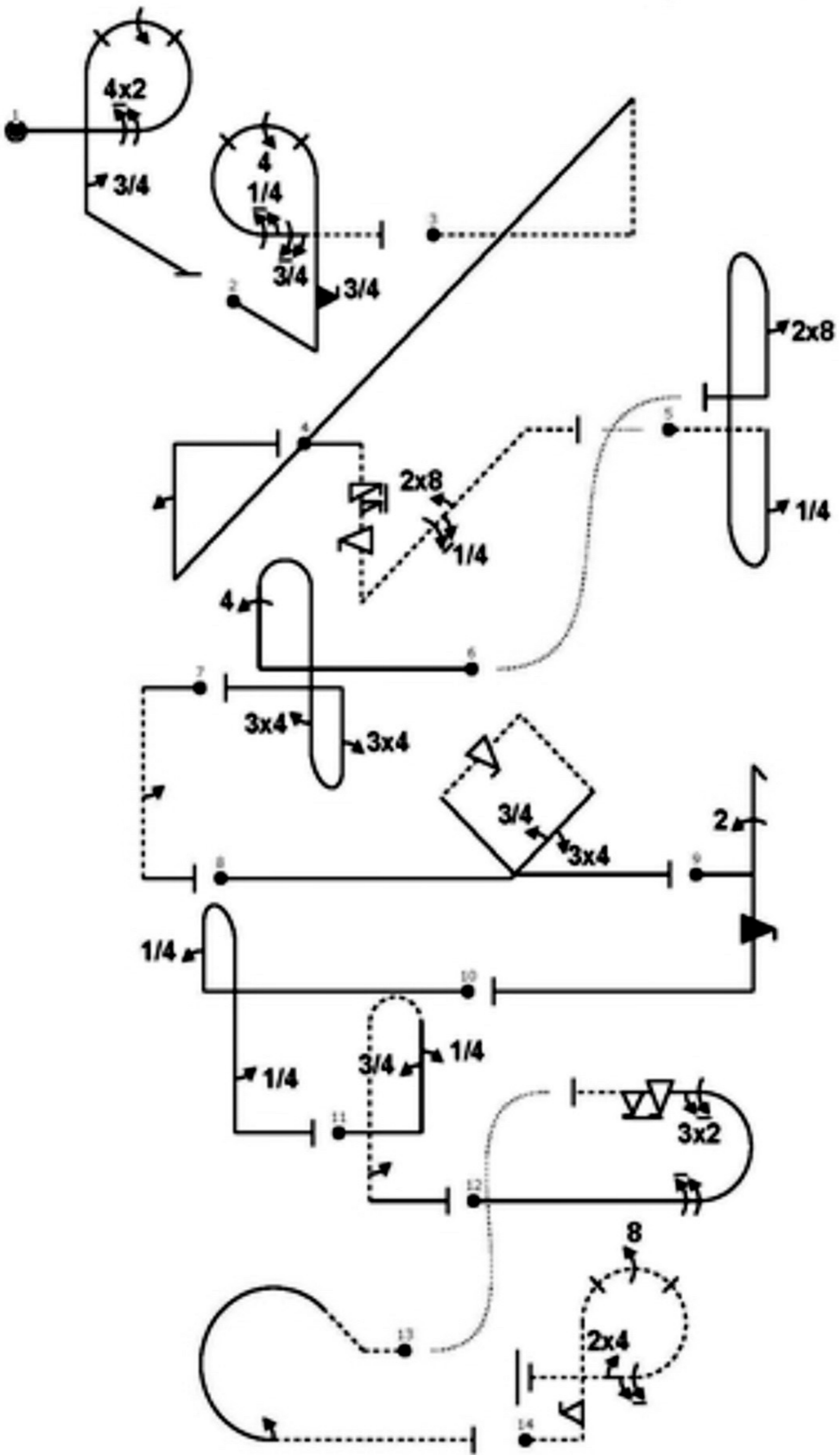


Programme 4: Free Unknown #3

Free Unknown H



wind/vent ← **R**



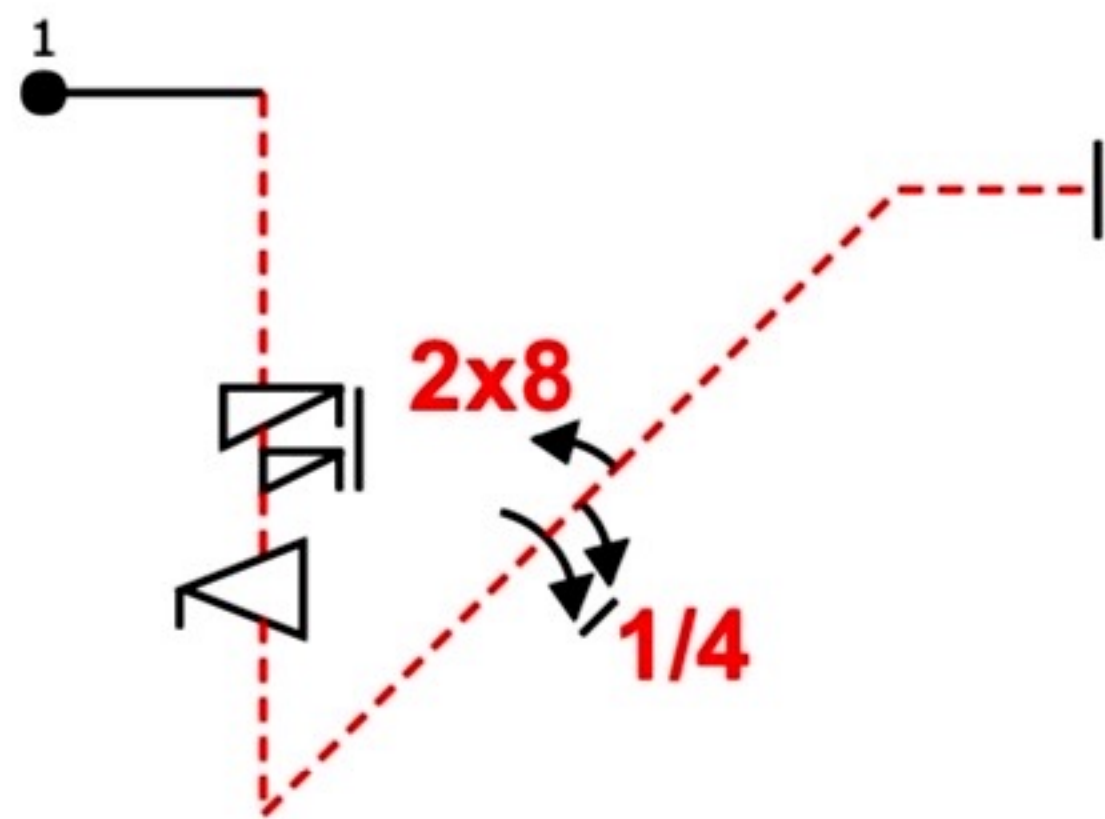


Fig A
 1.2.5.3(17)
 9.11.1.6(3)
 9.9.5.4(11)
 9.1.2.5(11)
 9.8.2.1(5)
K: 47

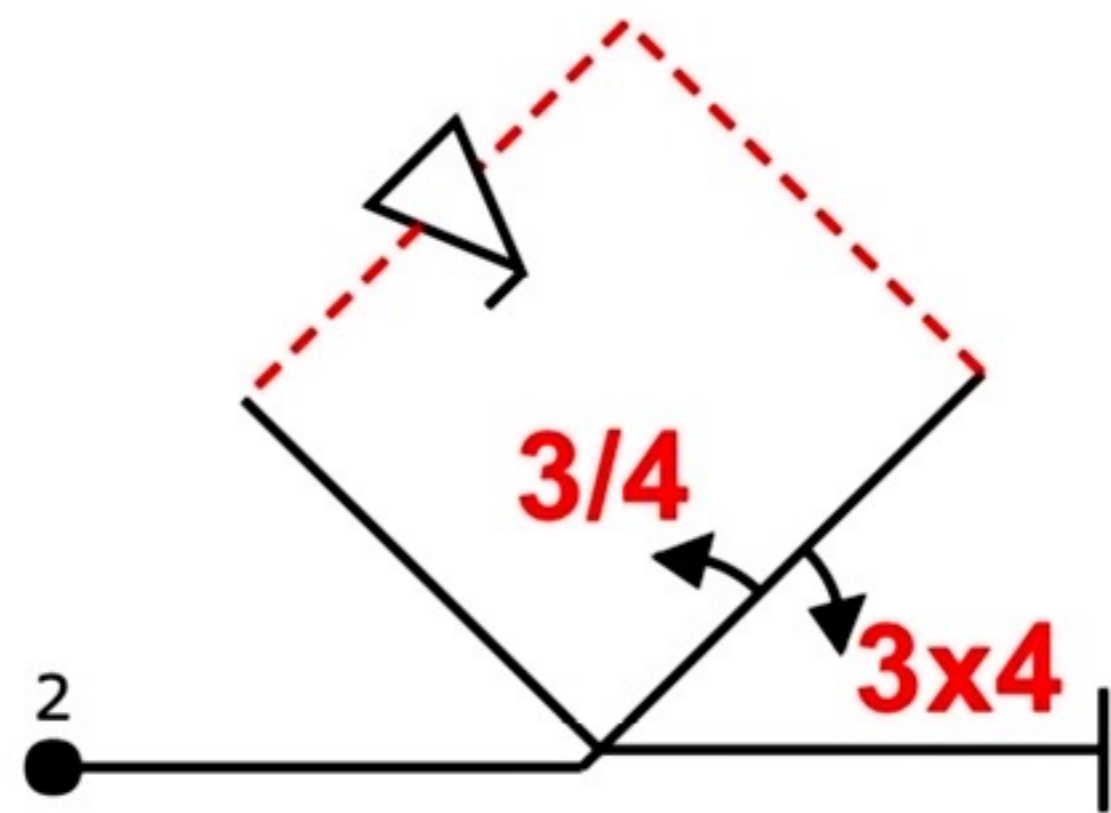


Fig B
 7.4.5.1(15)
 9.1.2.3(8)
 9.4.2.3(10)
 9.9.9.4(13)
K: 46



Fig C
 8.6.2.1(12)
 9.10.6.3(19)
 9.4.3.4(11)
 9.1.3.5(9)
 9.1.3.7(11)
K: 62

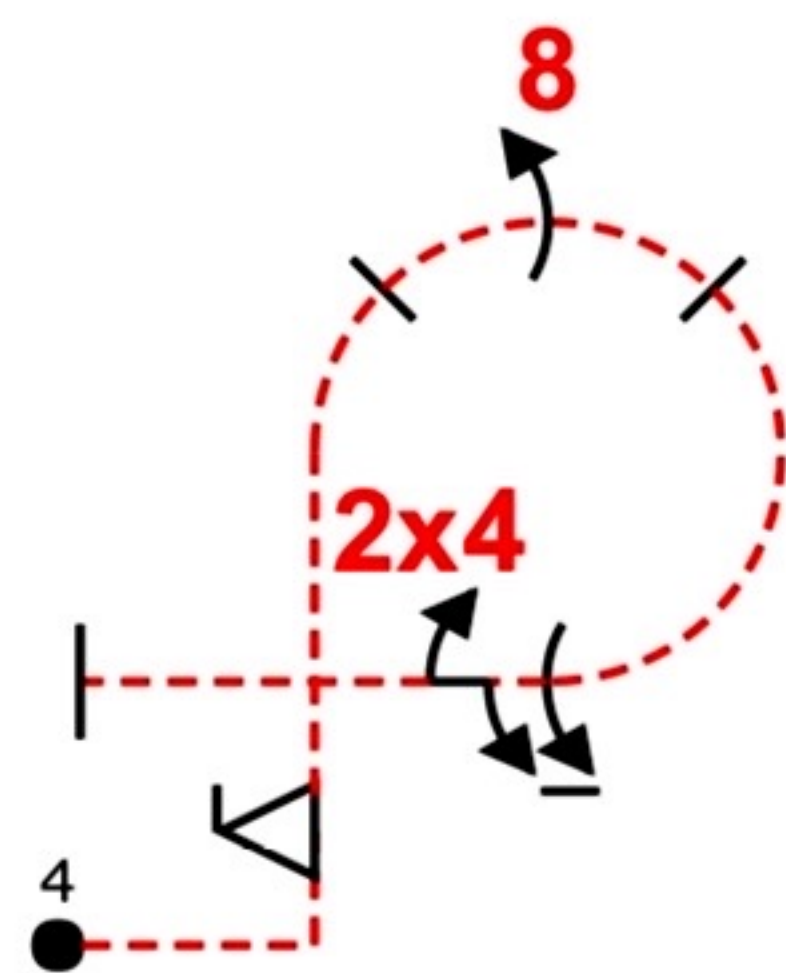


Fig D
 8.6.1.2(16)
 9.9.6.2(17)
 9.8.3.4(15)
 9.1.3.6(10)
 9.4.3.2(5)
K: 63

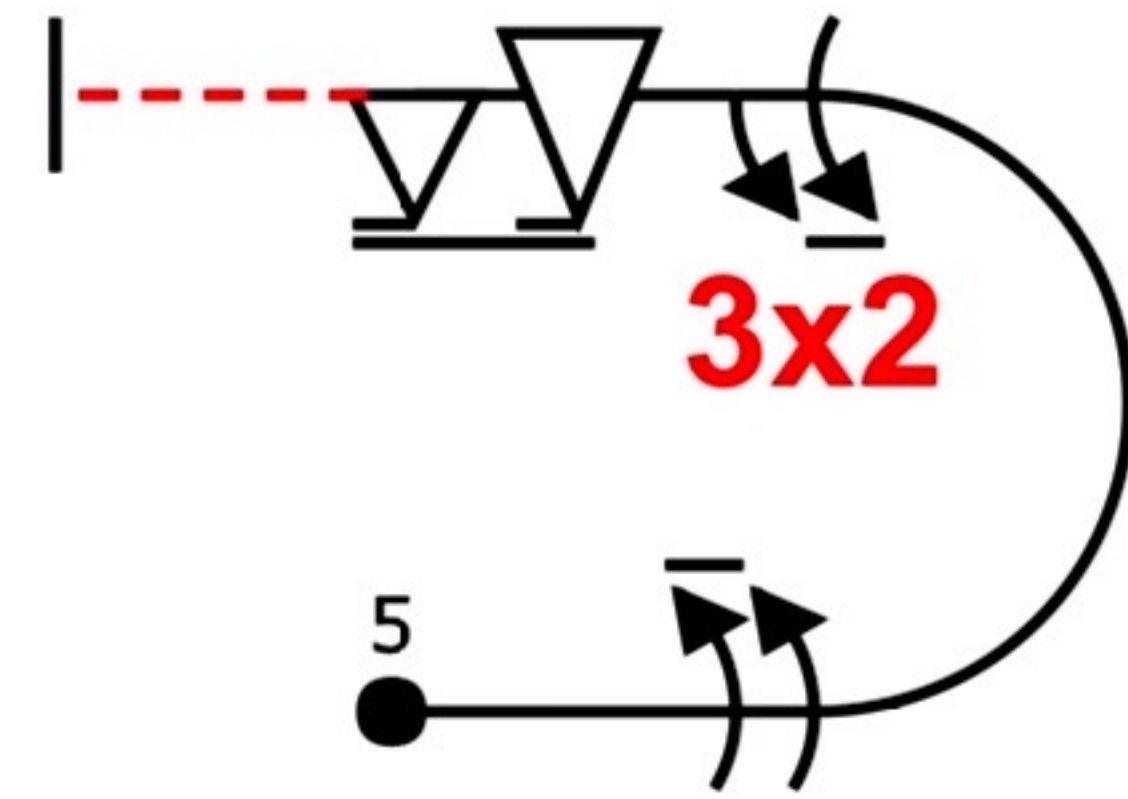


Fig E
 7.2.1.1(6)
 9.1.3.8(12)
 9.2.3.6(12)
 9.9.3.6(14)
K: 44

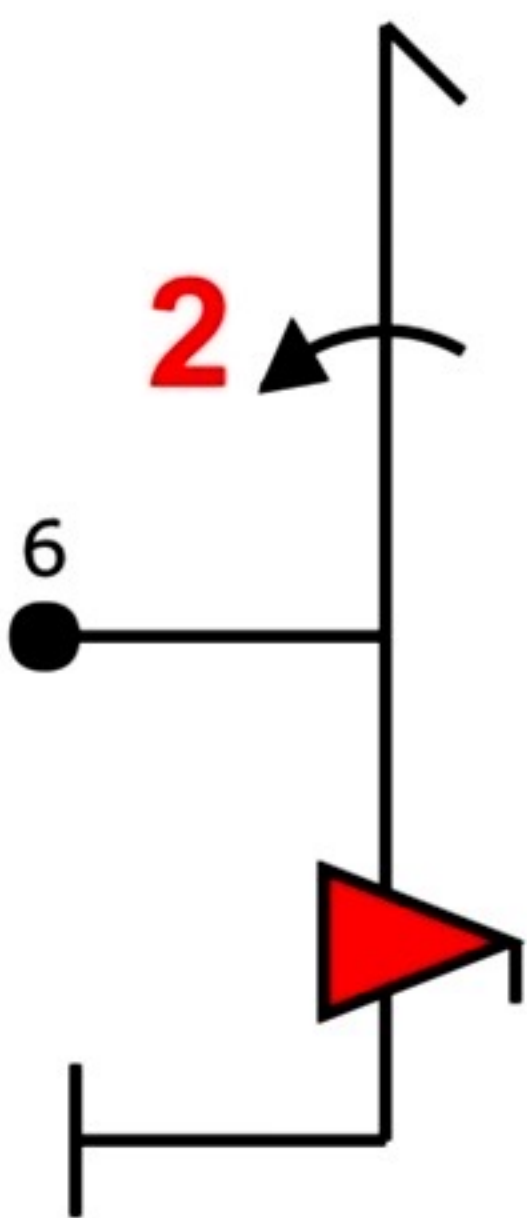


Fig F
 5.2.1.1(17)
 9.1.1.1(17)
K: 45

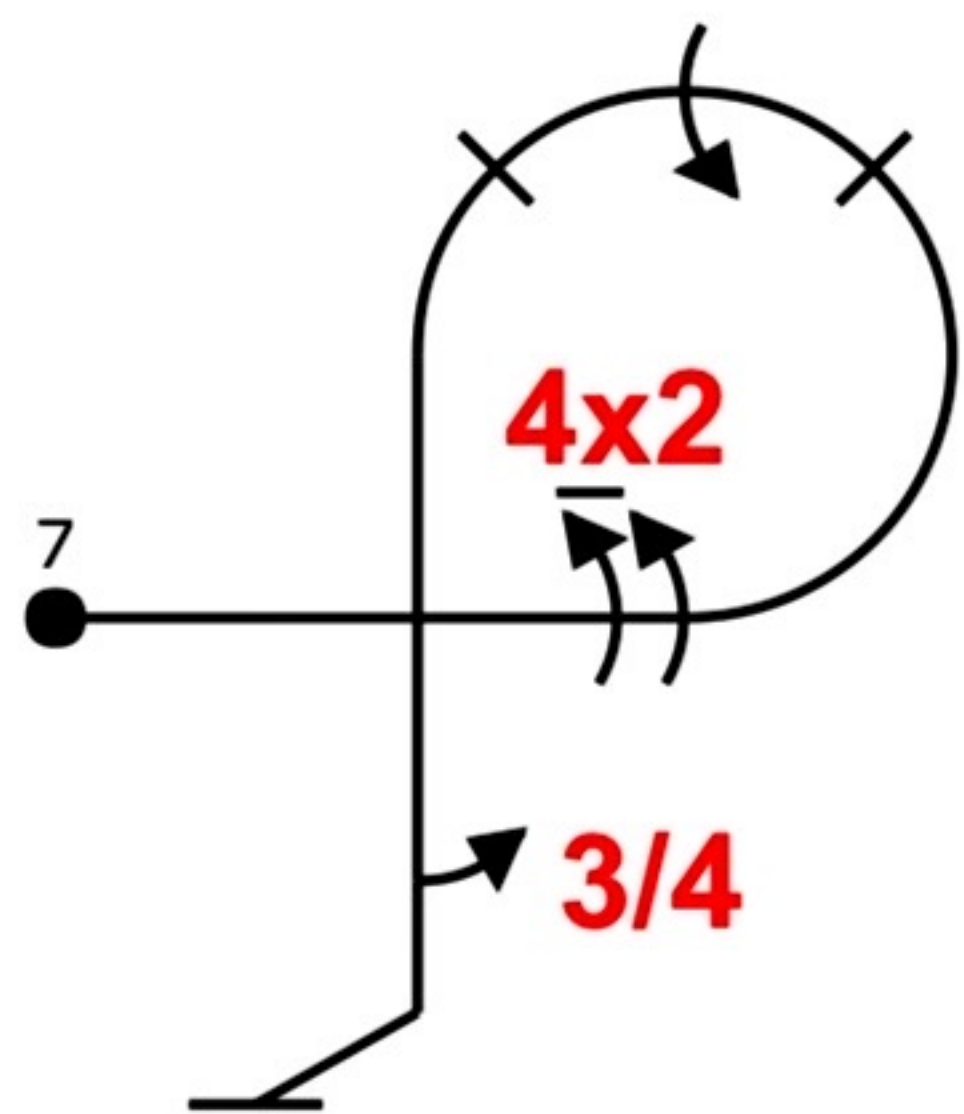


Fig G
 8.6.5.1(11)
 9.2.3.2(15)
K: 45

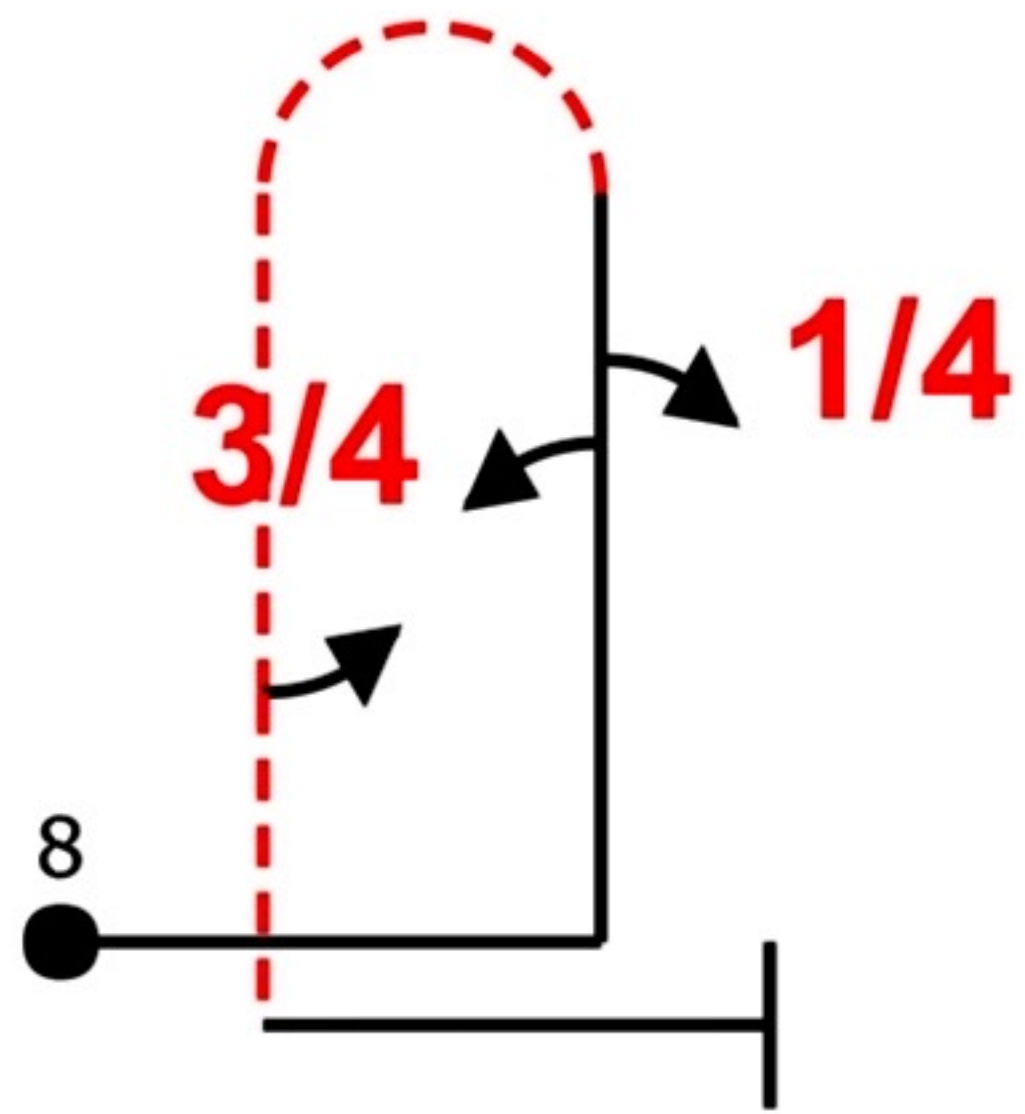


Fig H
 9.1.3.1(15)
 9.1.1.2(10)
K: 61

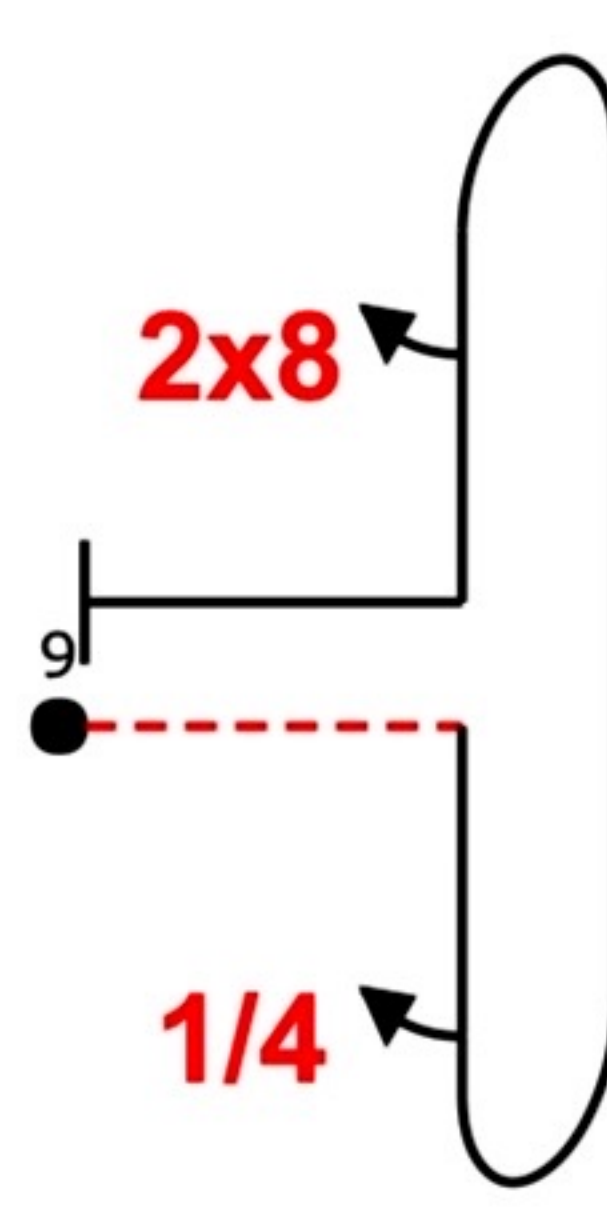


Fig I
 9.2.1.1(10)
 9.2.1.1(10)
K: 43

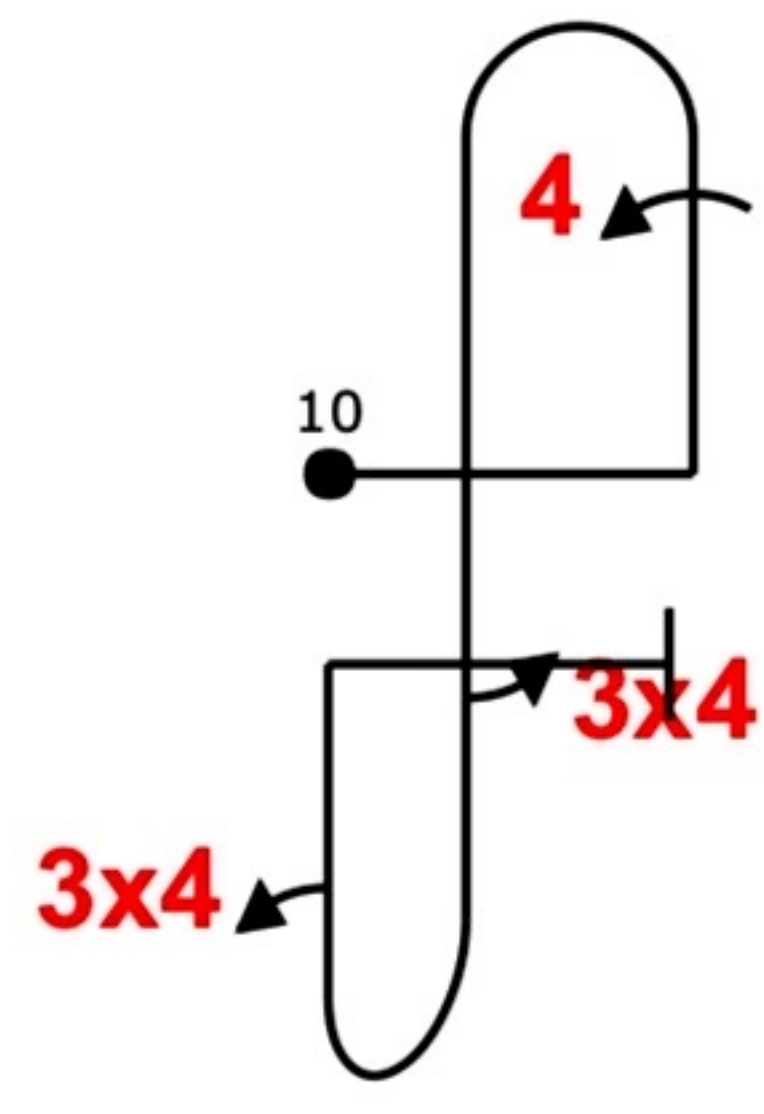
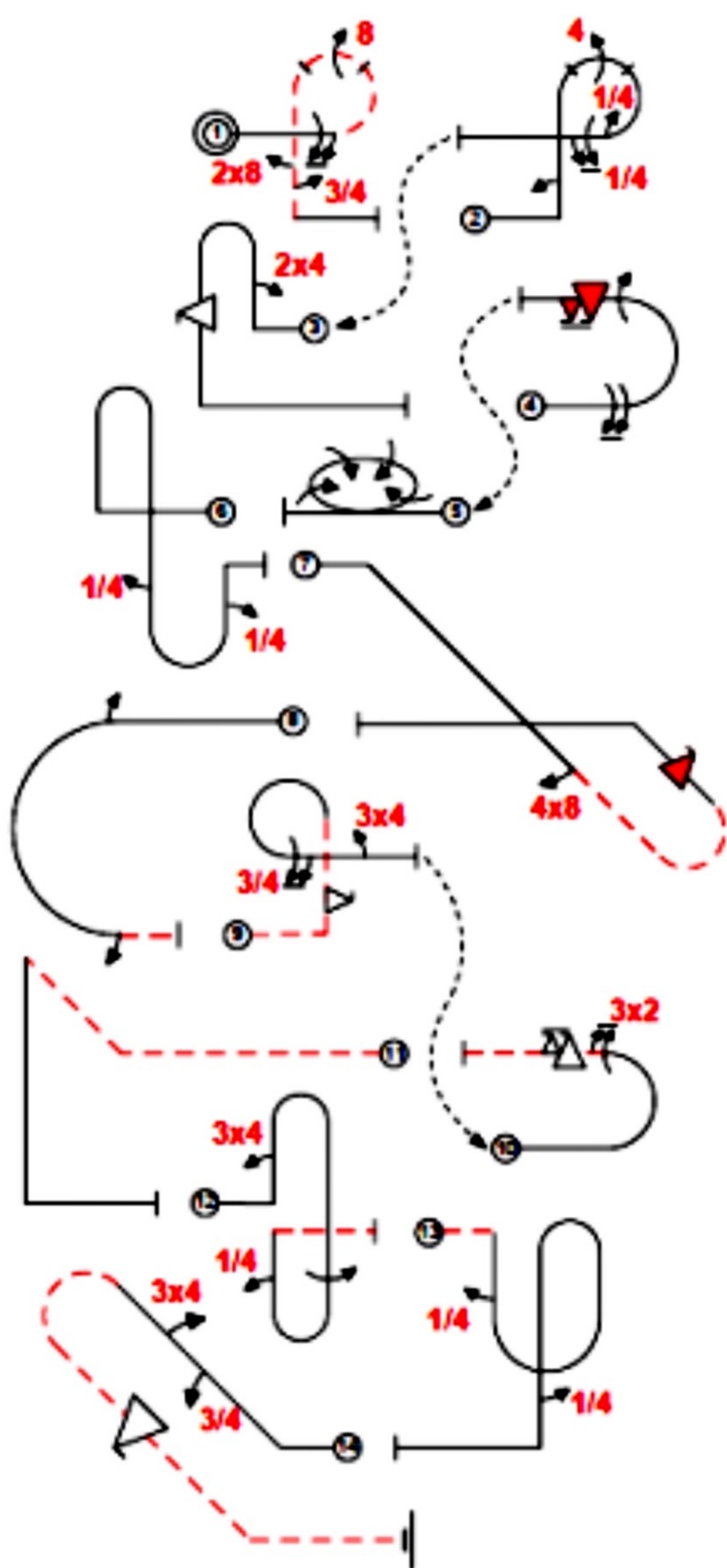


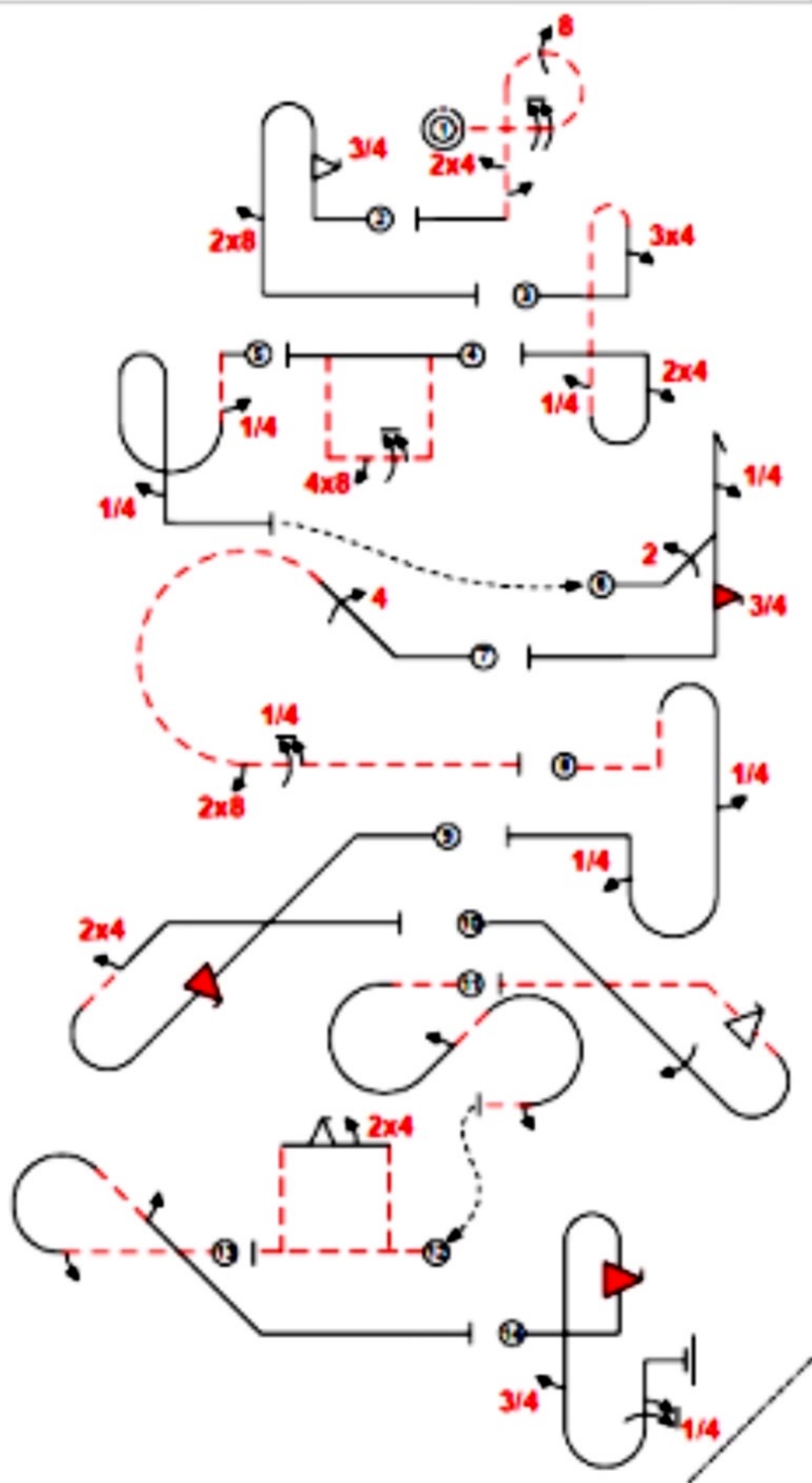
Fig J
 8.8.2.1(19)
 9.1.1.1(15)
K: 45





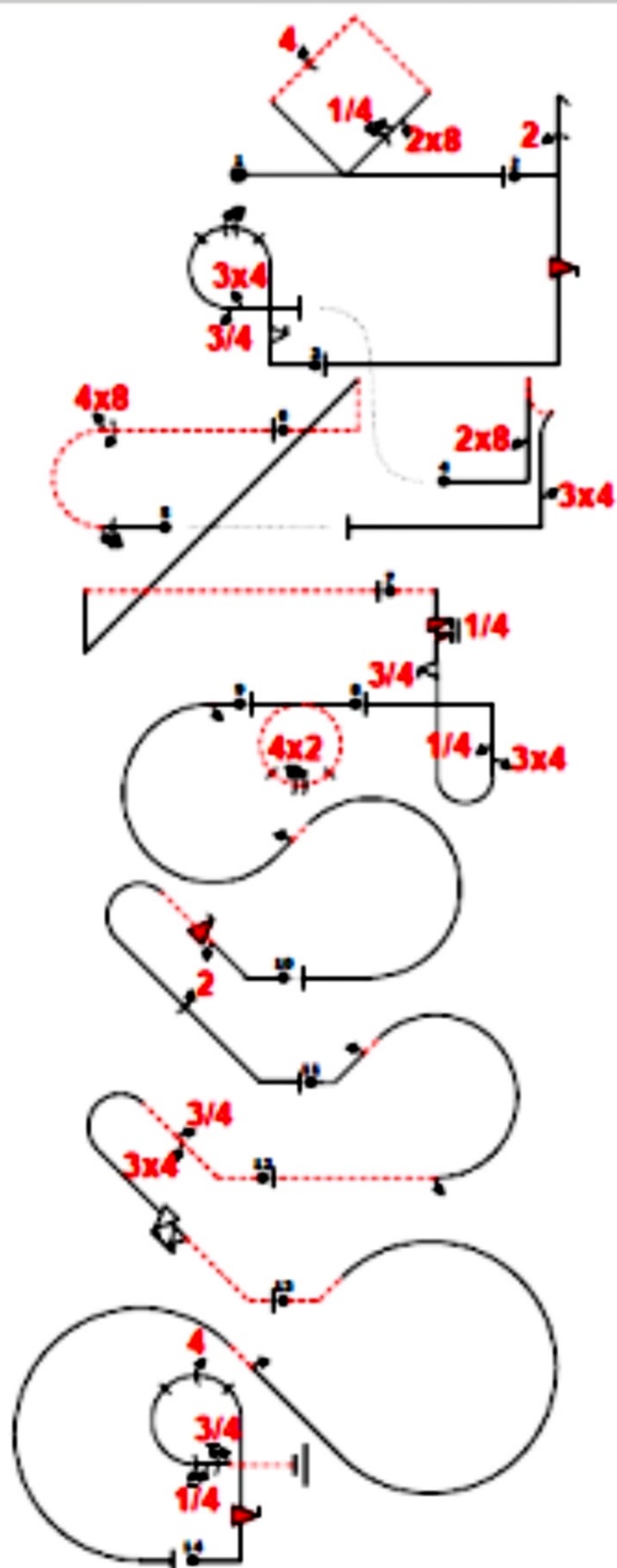
Level 3: Free Unknown #2

Unknown G



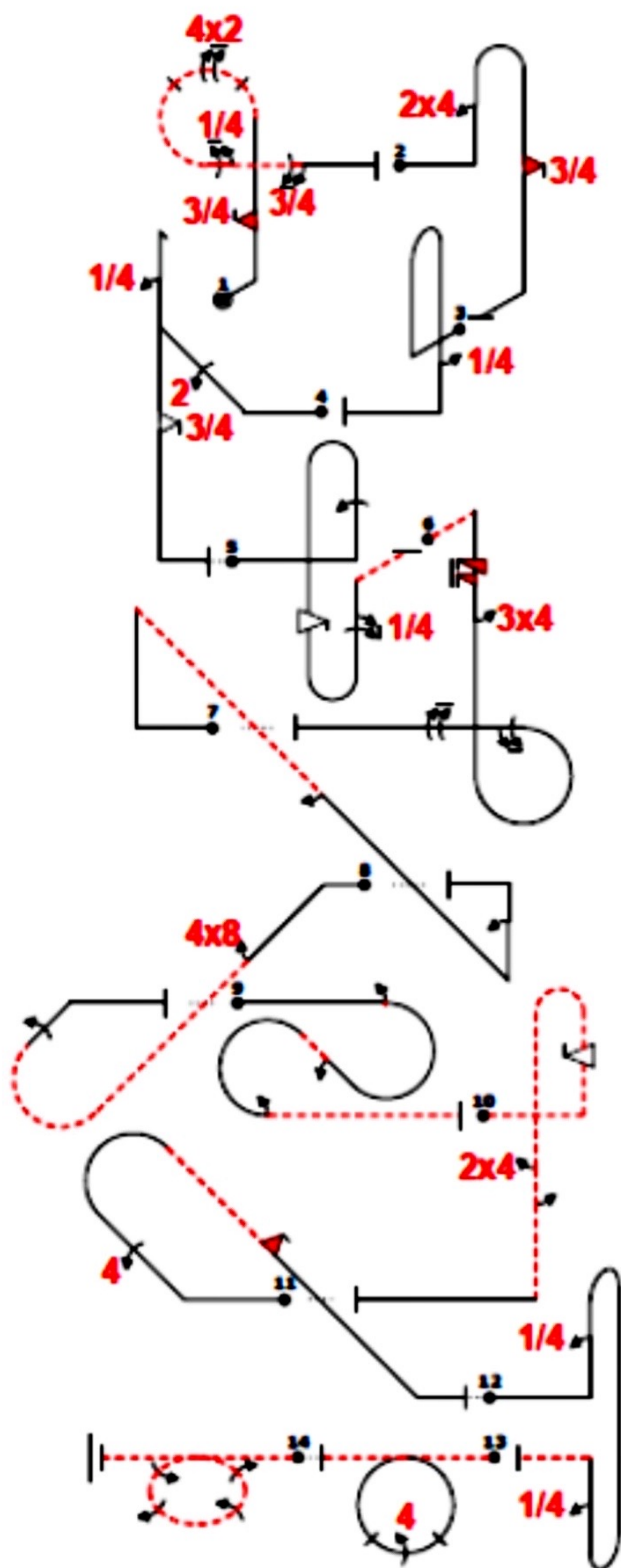
Programme 4: Free Unknown #3

Free Unknown F



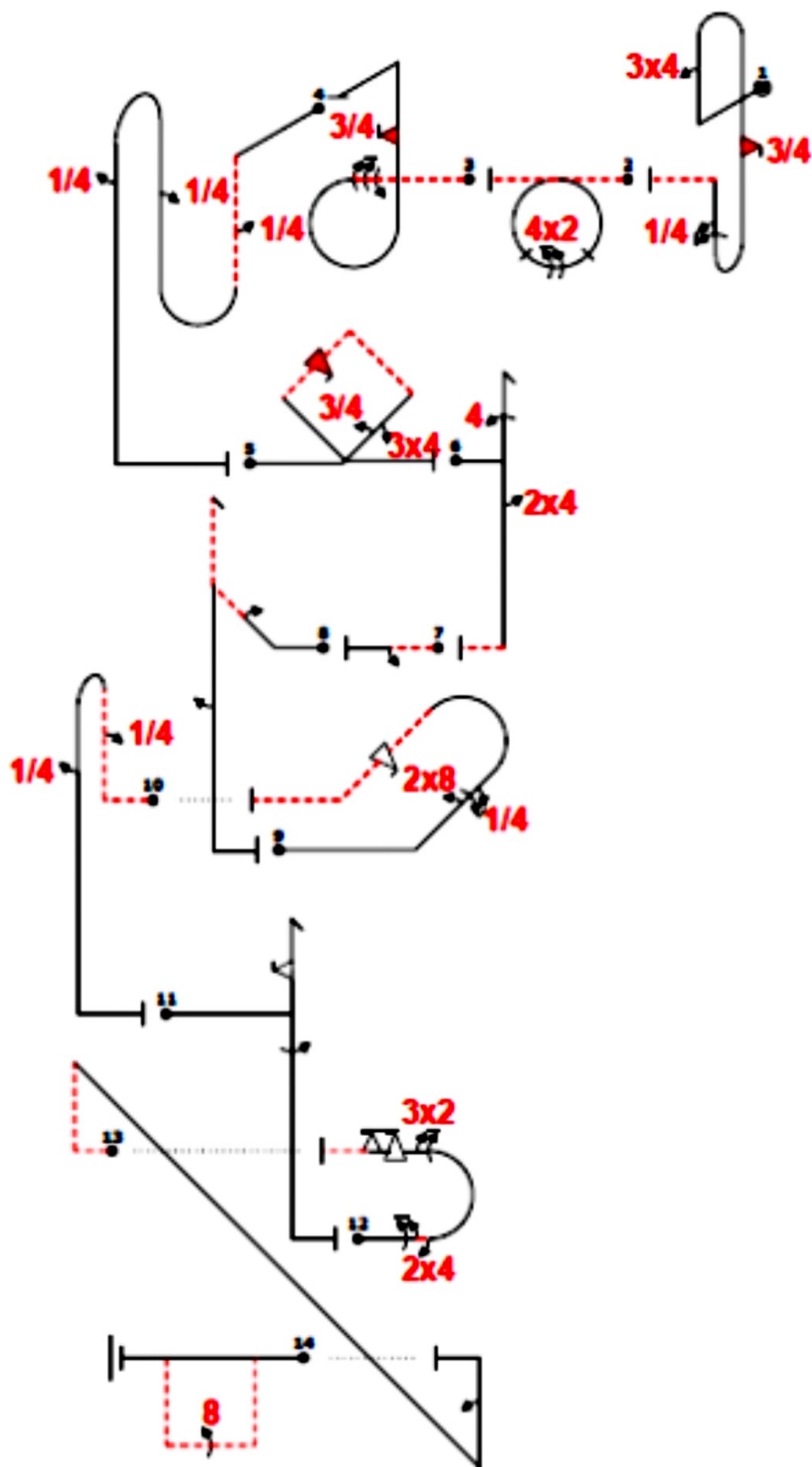
Power	
1	1000
2	1000
3	1000
4	1000
5	1000
6	1000
7	1000
8	1000
9	1000
10	1000
11	1000
12	1000
13	1000
14	1000
15	1000
16	1000
17	1000
18	1000
19	1000
20	1000
21	1000
22	1000
23	1000
24	1000
25	1000
26	1000
27	1000
28	1000
29	1000
30	1000
31	1000
32	1000
33	1000
34	1000
35	1000
36	1000
37	1000
38	1000
39	1000
40	1000
Total N = 40	

Programme 2: Free Unknown #1
Free Unknown J



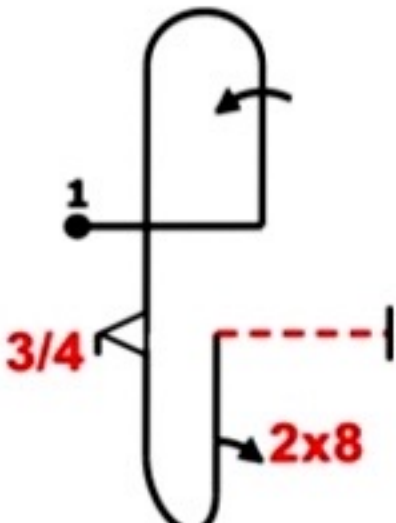

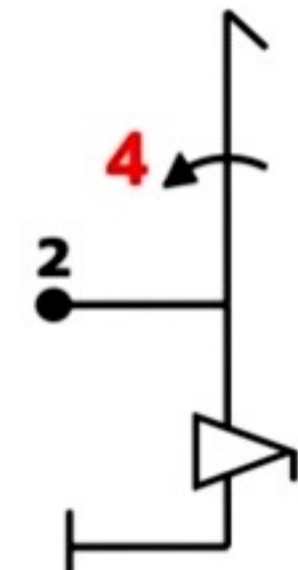

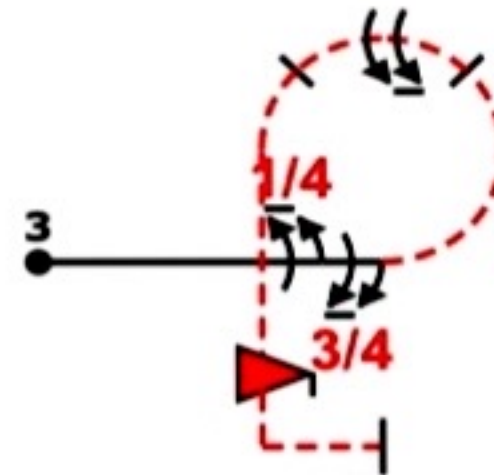

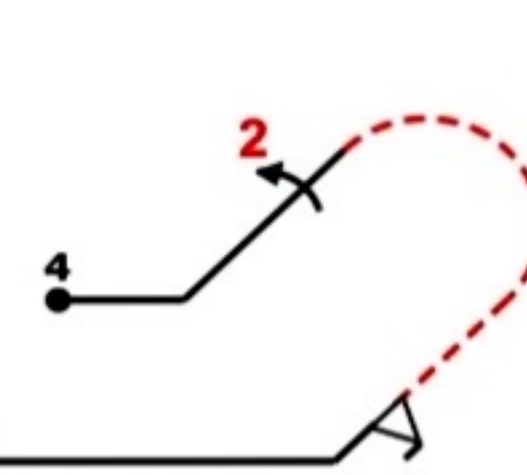

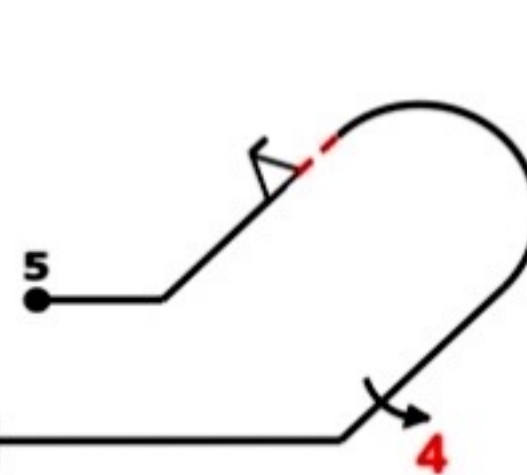

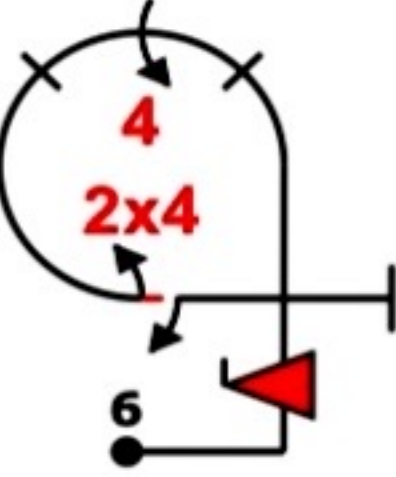

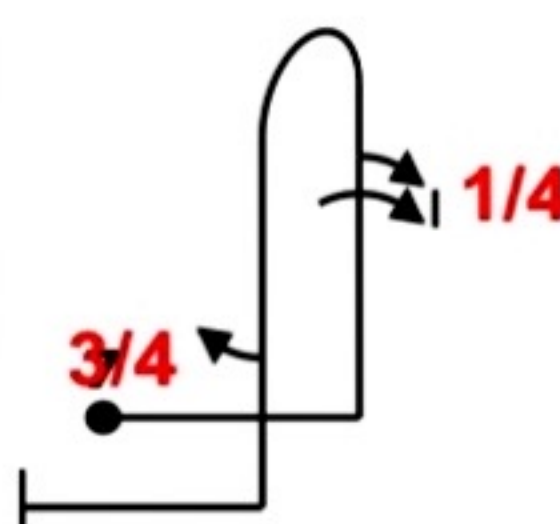

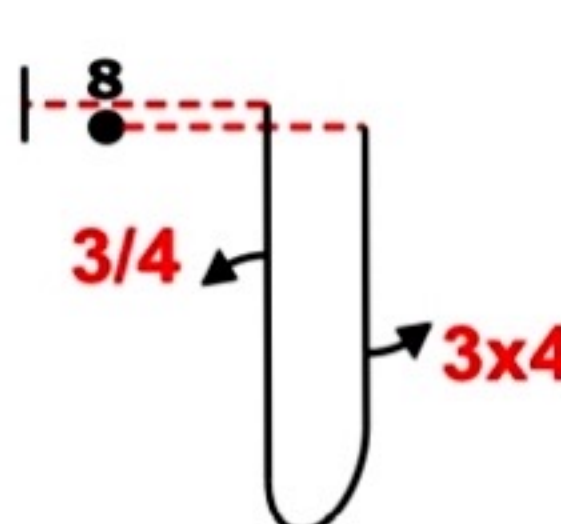

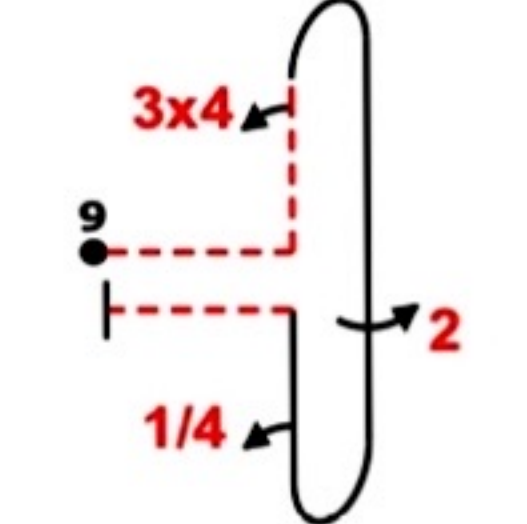

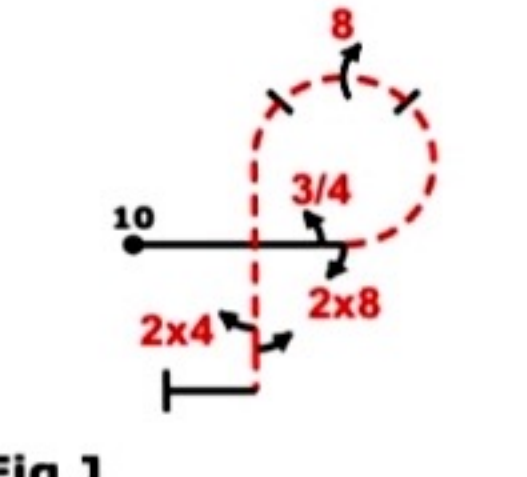

Programme 3: Free Unknown #2

Free Unknown C



Programme 4 - FU3 figures

Deadline for proposals 27th AUG at 1200LT.
 Deadline for selection 27th AUG at 1900LT.

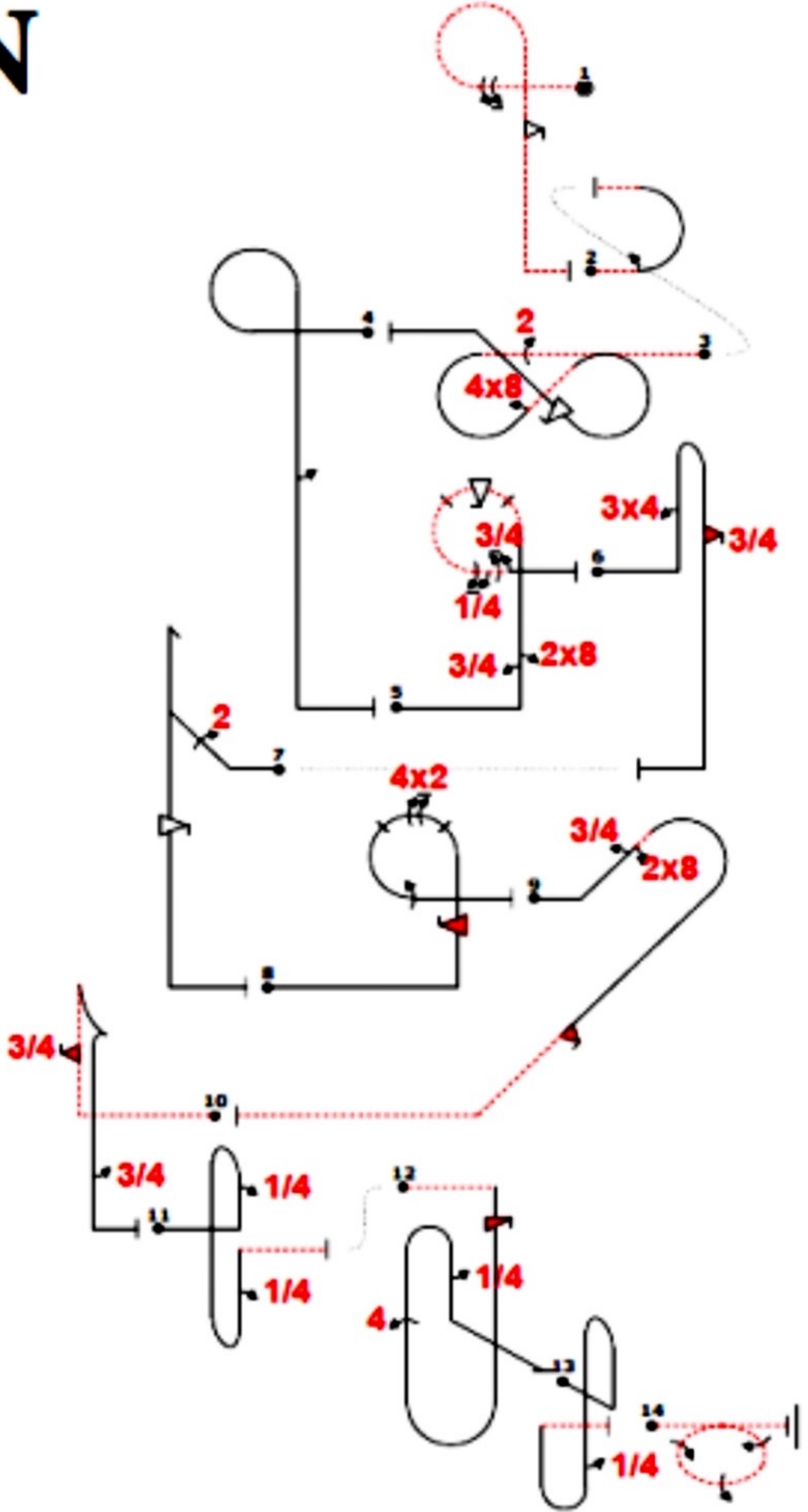
 <p>Fig A 8.8.1.1(18) 9.1.1.4(12) 9.9.5.3(11) 9.8.1.1(7) K: 48</p> <p>ROU</p> 	 <p>Fig B 5.2.1.1(17) 9.4.1.4(15) 9.9.5.4(11) K: 43</p> <p>ITA</p> 	 <p>Fig C 8.6.7.1(16) 9.1.3.5(9) 9.1.3.7(11) 9.1.3.8(12) 9.10.5.4(13) K: 61</p> <p>ESP</p> 	 <p>Fig D 8.4.18.1(14) 9.2.2.4(11) 9.9.9.2(13) K: 38</p> <p>GER</p> 	 <p>Fig E 8.4.15.1(12) 9.9.2.2(13) 9.4.4.4(11) K: 36</p> <p>CZE</p> 
 <p>Fig F 8.6.1.1(11) 9.10.6.4(19) 9.4.3.4(11) 9.4.3.2(5) 9.1.3.2(4) K: 50</p> <p>FRA</p> 	 <p>Fig G 8.4.1.1(13) 9.1.1.5(14) 9.1.5.3(6) K: 33</p> <p>SUI</p> 	 <p>Fig H 8.4.1.4(13) 9.4.5.3(8) 9.1.1.3(10) K: 31</p> <p>GBR</p> 	 <p>Fig I 8.8.8.2(20) 9.4.1.3(12) 9.2.5.4(9) 9.1.1.1(6) K: 47</p> <p>USA</p> 	 <p>Fig J 8.6.8.1(15) 9.1.3.3(6) 9.8.3.1(3) 9.8.3.4(15) 9.4.5.2(5) 9.1.5.2(4) K: 48</p> <p>RUS</p> 

Programme 2: Free Unknown #1
Free Unknown N



N

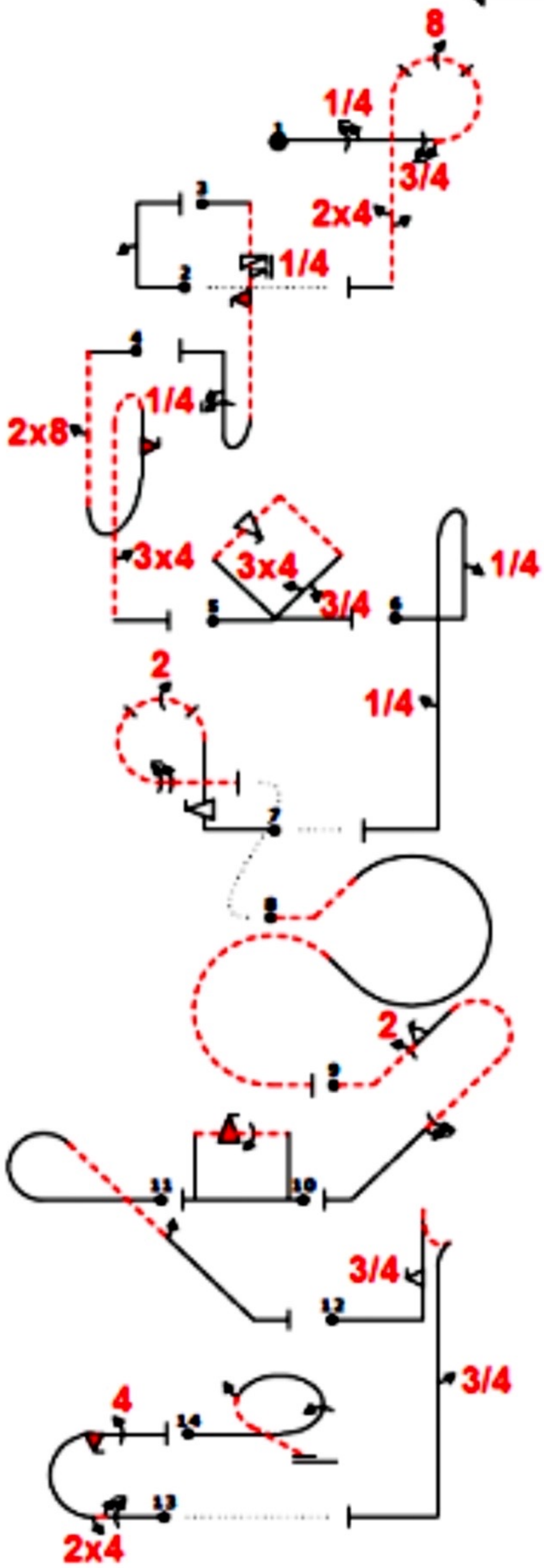
wind/vent ← R





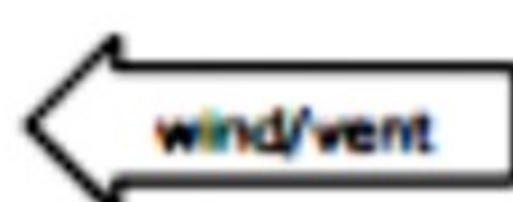
E

wind/vent ← **R**

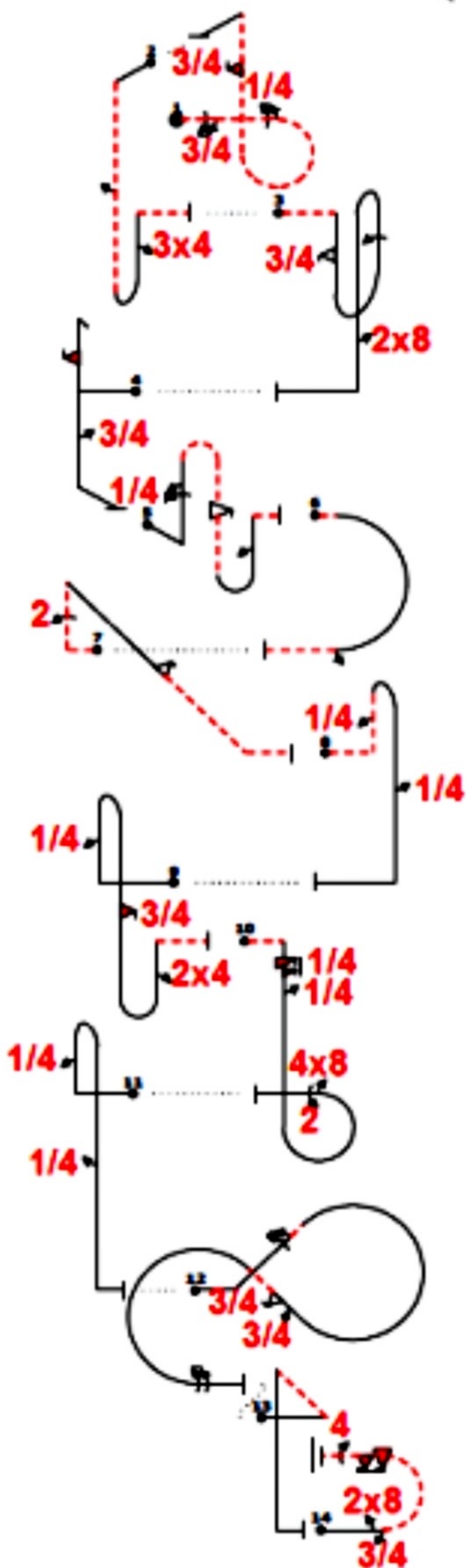




H

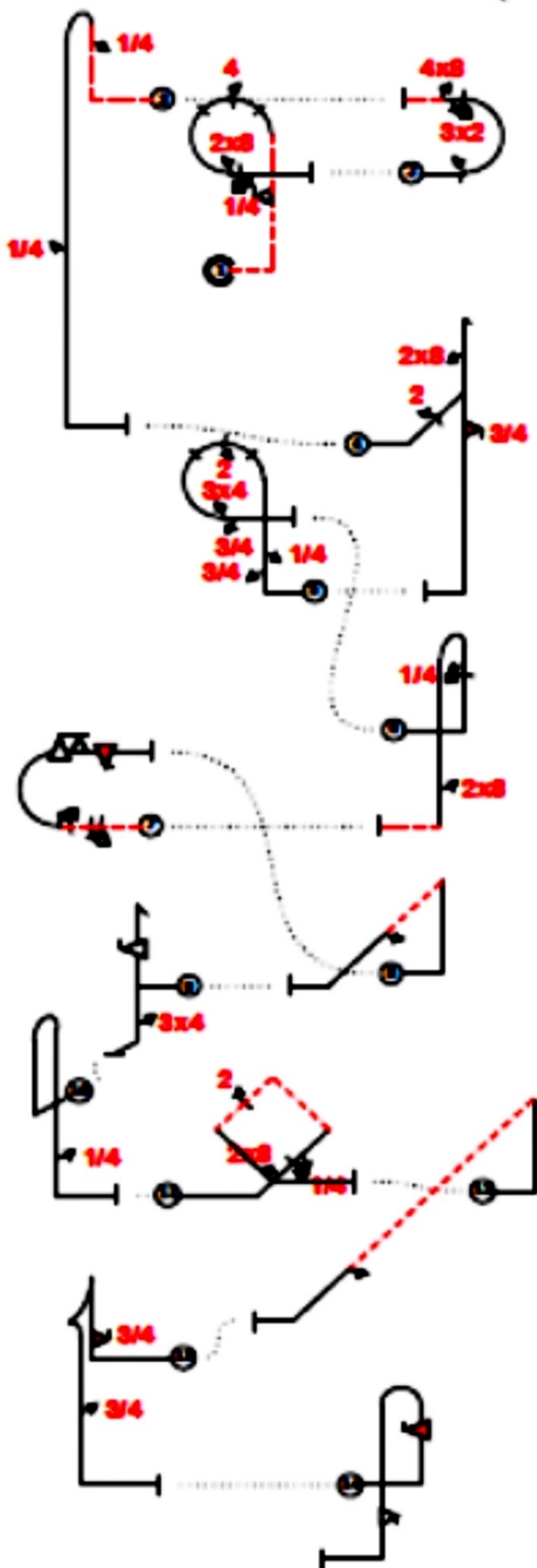


R



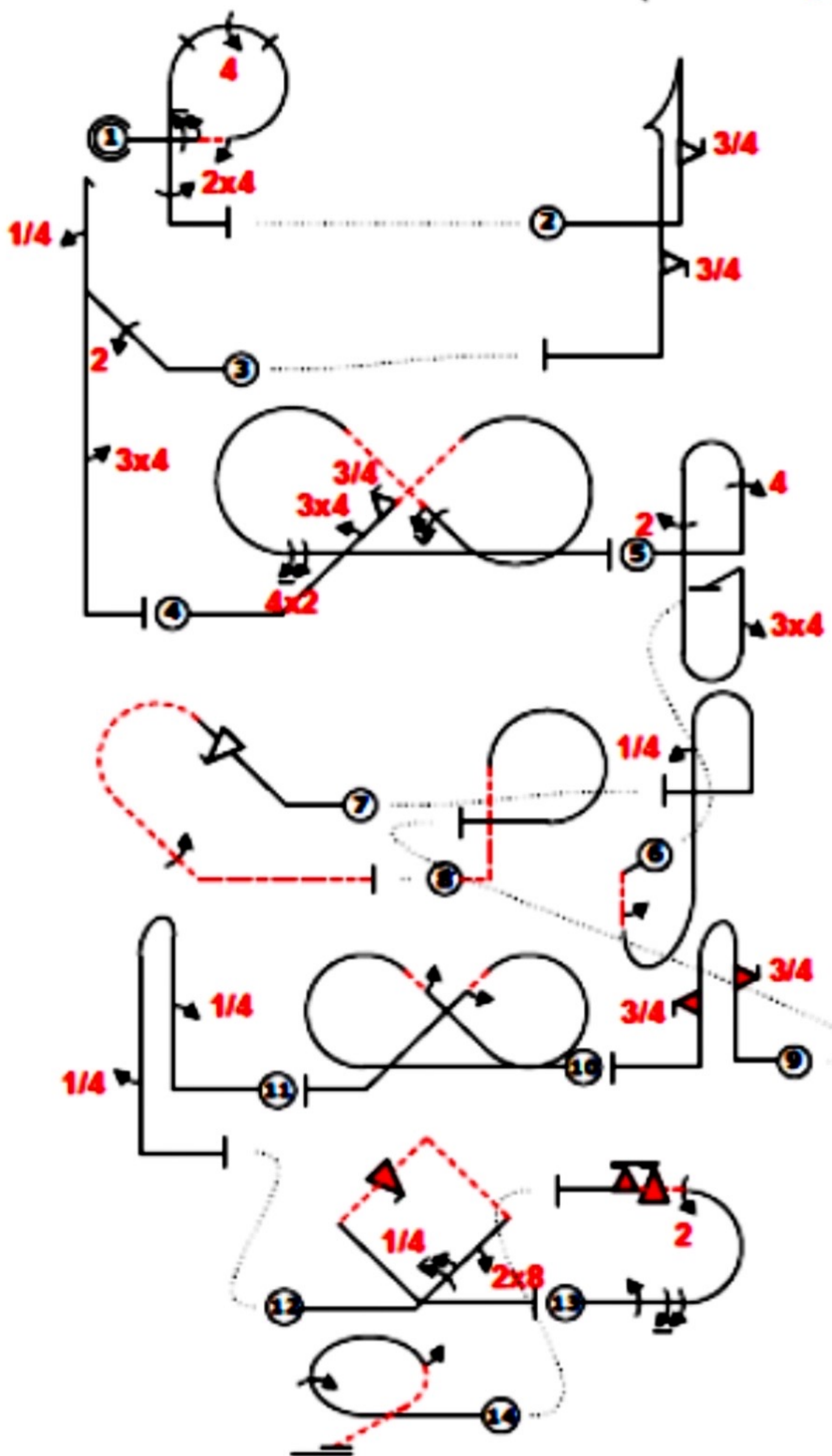
Programme 2: Free Unknown #1

Free Unknown B



Programme 3: Free Unknown #2

Free Unknown B



Programme 4: Free Unknown #3
Free Unknown A

